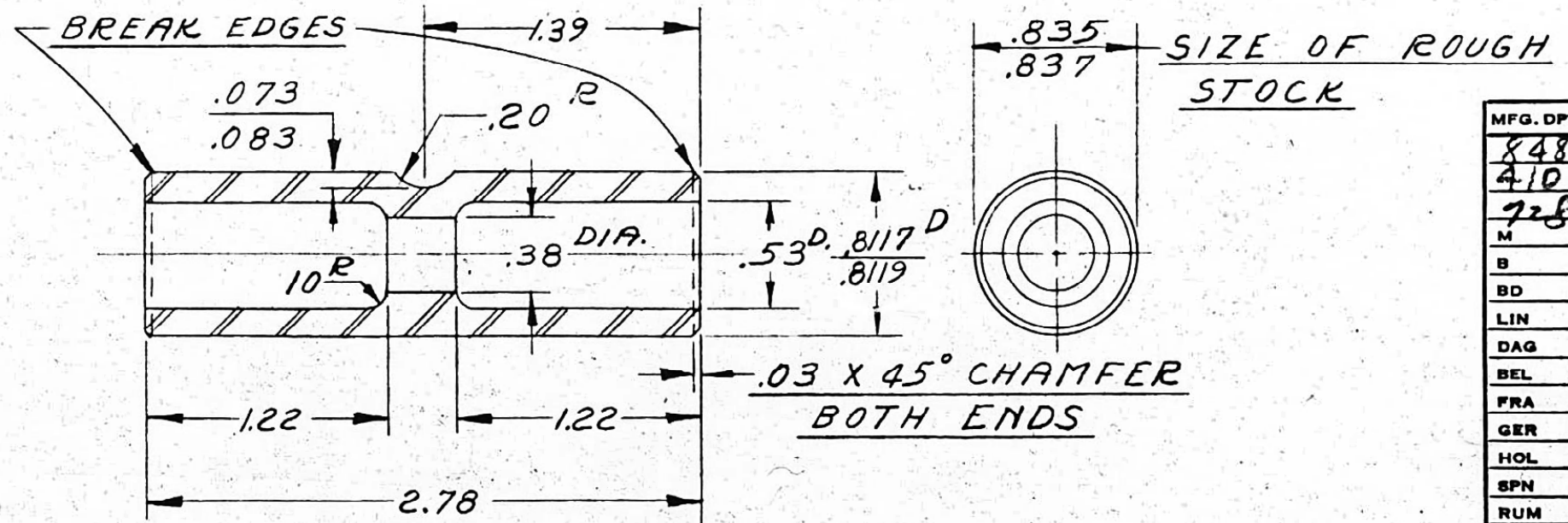


GPW-6135

ALLOWABLE VARIATION ON DIMENSIONS CONTROLLING FINISHED SURFACES IS $\pm .010$ UNLESS OTHERWISE SPECIFIED. ALL DIMENSIONS IN INCHES.

DRWG. STARTED	10-28-41		
DRWG. COMPLETED	10-28-41		
ENG. INF	SUPP.	REVISED	CK.
L 10#	11	11-8-41	



MFG. DPT.	848
	410
	728
M	
B	
BD	
LIN	
DAG	
BEL	
FRA	
GER	
HOL	
SPN	
RUM	
ARG	
DEN	
CORK	
MEX	
BRA	
JAP	
AUST	
SWED	

TREATMENT:-
CARBURIZE, AT 1700° F TO DEPTH OF CASE AFTER
GRINDING .025-.035 HARDEN AND
DRAW TO A MINIMUM ROCKWELL C-60
PINS MUST BE FREE OF SCALE & INSIDE
CASE ALLOWABLE OUT OF ROUND &
TAPER .0001 GRIND & LAP.

PIN-PISTON
TYPE S.A.E. 1020 (CARBON DESIRED. 18.23)
CARBURIZE AT 1700° F

(W) 636961

DESIGN	SCALE	DRAWN BY	CK.	O.K.	FORD MOTOR CO.
	FULL	DICKINSON			DEARBORN, MICH.

GPW-6135

DRAWN BY NAME