

GPW16684

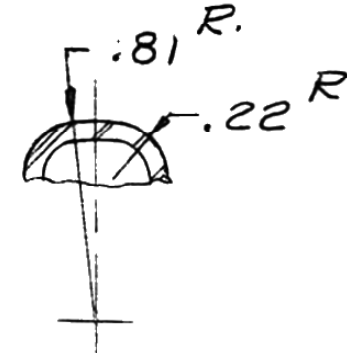
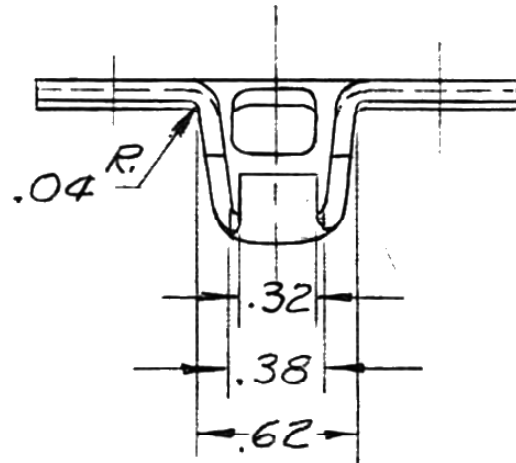
GPW16684B

ALLOWABLE VARIATION ON DIMENSIONS CONTROLLING FINISHED SURFACES IS $\pm .010$ UNLESS OTHERWISE SPECIFIED. ALL DIMENSIONS IN INCHES.

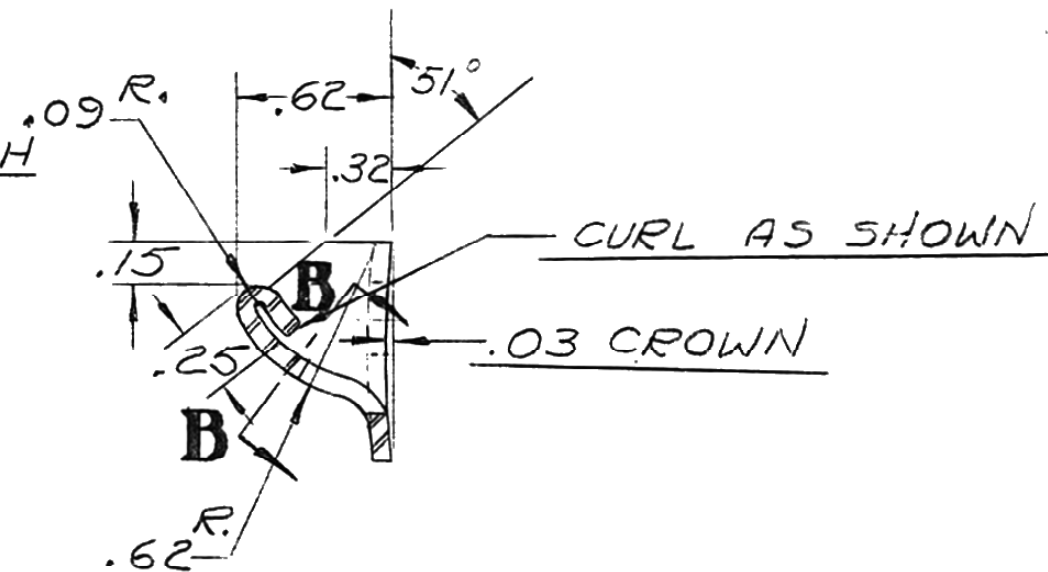
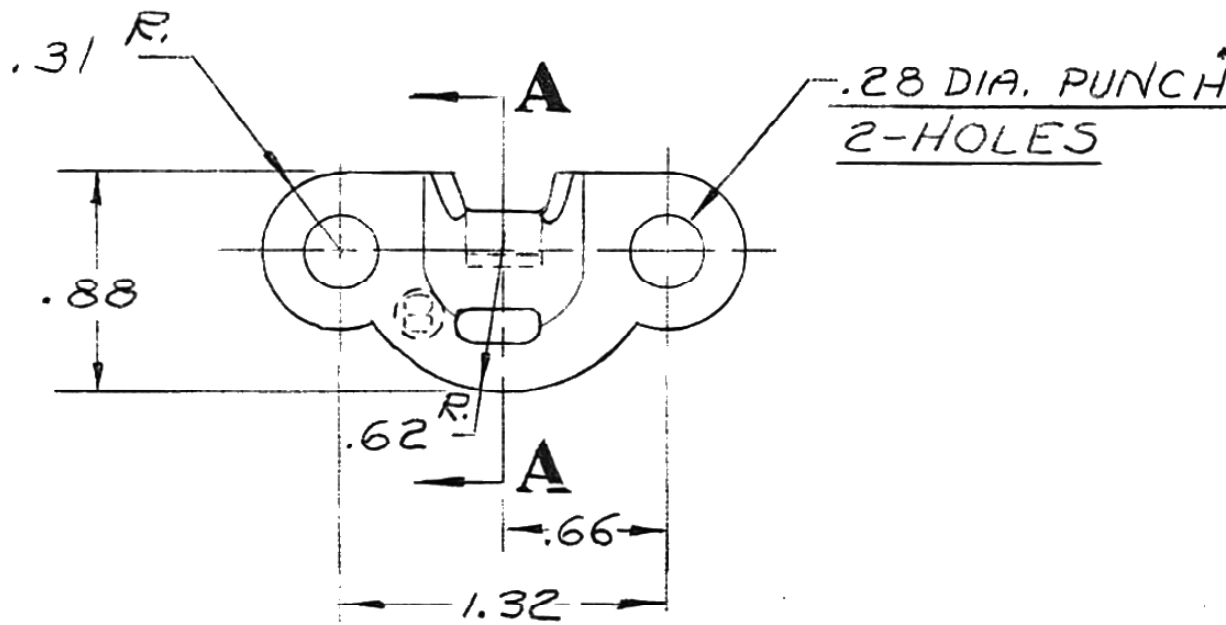
OLIVE DRAB

OCEAN GRAY-Δ

DRWG. STARTED	12-11-91		
DRWG. COMPLETED	12	91	
ENG. INF.	SUPP.	REVISED	CK.
L10	590	12-26-91	RF
L10	844	2-25-93	RSV
L30 #	501	2-16-93	
L24	666	11-1-93	LS



SECTION B-B



SECTION A-A

MFG. DPT.	0
M	
B	
BD	
LIN	
DAG	
BEL	
FRA	
GER	
HOL	
SPN	
RUM	
ARG	
DEN	
CORK	
MEX	
BRA	
JAP	
AUST	
SWED	
LIN	

BRACKET-HOOD CATCH

CLASS "Y" H.R.-L.C.-O.H. STEEL P.&O. #13 U.S.S.GA.(.0897)
 SURFACE & PHYSICAL PROPERTIES NECESSARY TO MAKE PART.
 SAMPLE TO BE APPROVED BY ENG. DEPT.

4- GPW16684B
 GPW16684

A-3053

DESIGN	SCALE	DRAWN BY	CK.	O.K.	FORD MOTOR CO.
	FULL	GRUNOW	H	RS	DEARBORN, MICH.