

GPW 16892

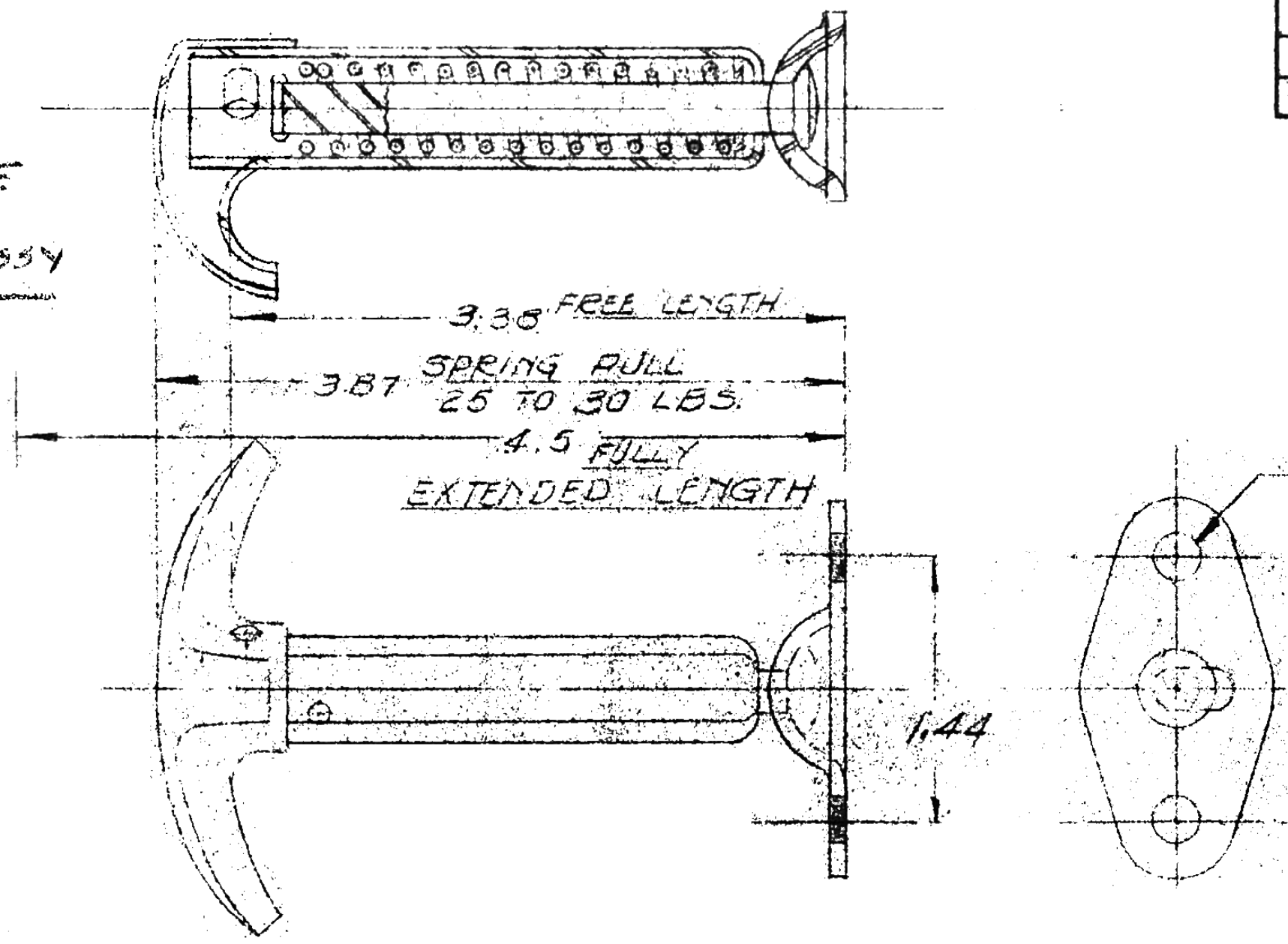
ALLOWABLE VARIATION ON DIMENSIONS CONTAINING FINISHED SURFACES IS $\pm .010$ UNLESS OTHERWISE SPECIFIED. ALL DIMENSIONS IN INCHES.

DRWG. STARTED				11-6-41
DRWG. COMPLETED				
ENG. INF.	SUPP.	REVISED	CK.	
L10	501	11-14-41	RF	
L10	#603	1-12-42		

NOTE:

PACK SPRING WITH
M-4601-A-GREASE
OR EQUAL, AT ASSY

RESTRICTED
NOTICE: THIS DOCUMENT CONTAINS INFORMATION AFFECTING THE NATIONAL DEFENSE OF THE UNITED STATES WITHIN THE MEANING OF THE ESPIONAGE ACT U. S. C. SEC. 81, 823. THE TRANSMISSION OF THIS DOCUMENT OR THE REVELATION OF ITS CONTENTS IN ANY MANNER TO ANY UNAUTHORIZED PERSON IS PROHIBITED.



MFG. DPT.	0
M	
S	
WD	
LIN	
DAG	
SEL	
FRA	
GER	
HOL	
SPN	
RUM	
ARG	
QEN	
CONK	
MEX	
BRA	
JAP	
AUST	
SWED	
LIN	

CATCH ASSY - HOOD
SAMPLE TO BE APPROVED BY ENG. DEPT.
FINISH - SEE PAINT SPEC.

DESIGN	SCALE	DRAWN BY	CK.	O.K.	FORD MOTOR CO. DEARBORN, MICH.	GPW 16892
	FULL	W. L. E.	RF	15		

7-2590