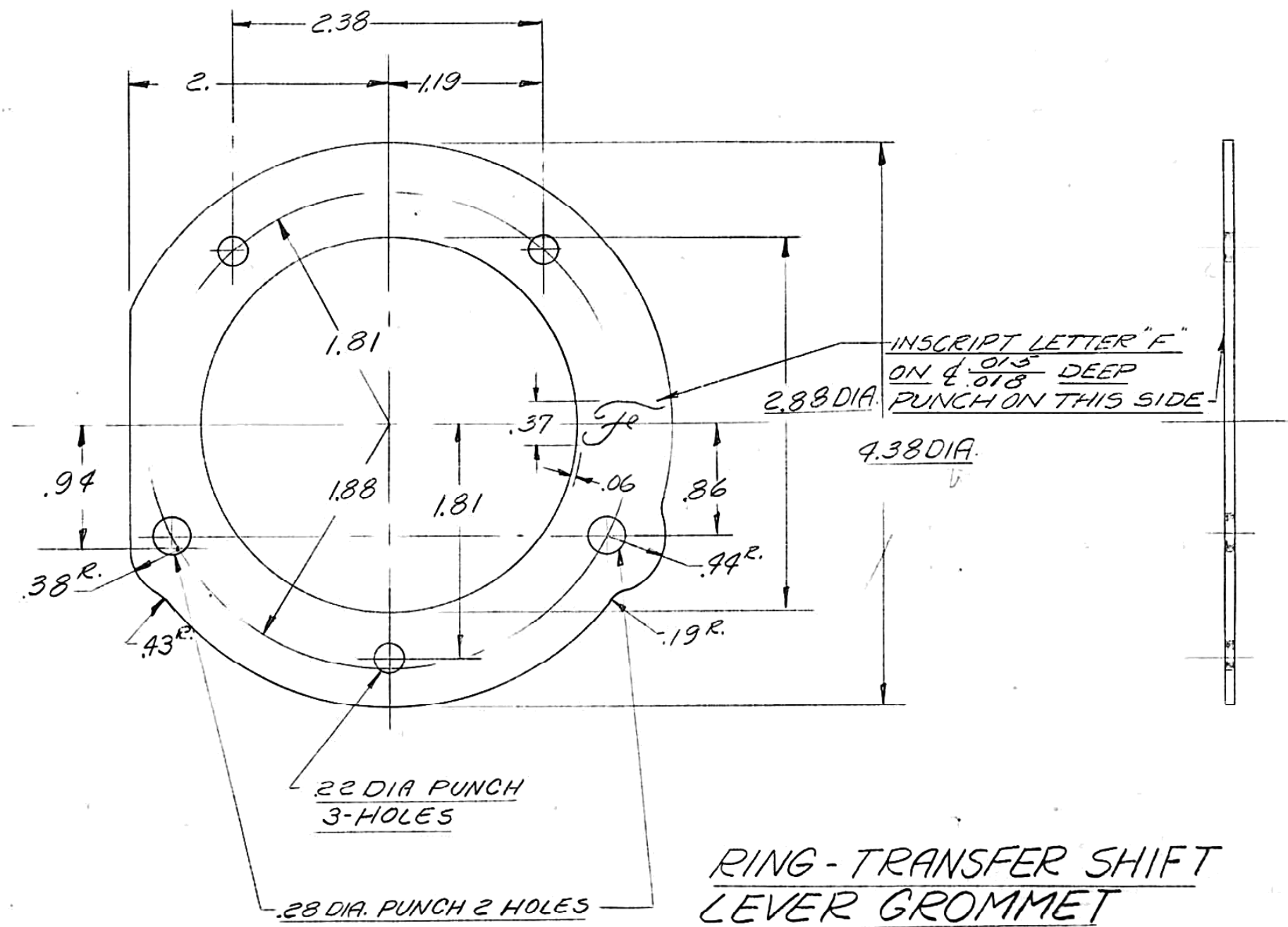


DRWG. STARTED		11-5-41	
DRWG. COMPLETED			
ENG. INF	SUPI.	REVISED	CK.
L10	503	11-17-41	RF
L10	511	12-3-41	FLF
L10	575	1-11-42	G.R.



**RING-TRANSFER SHIFT
LEVER GROMMET**

CLASSY H.R.L.C. O.H. STEEL #10. #16 U.S.S. GA (.0598)
 PAINT - SEE PAINT SPECIFICATIONS
 SURFACE & PHYSICAL PROPERTIES NECESSARY
 TO MAKE PART

MFG. DPT.	0
M	
B	
BD	
LIN	
DAG	
BEL	
FRA	
GER	
HOL	
SPN	
RUM	
ARG	
DEN	
COR	
MEX	
BRA	
JAP	
AUST	
SWED	
LIN	

GPW1112117

ALLOWABLE VARIATION ON DIMENSICNS CONTROLLING FINISHED SURFACES IS ±.010 UNLESS OTHERWISE SPECIFIED. ALL DIMENSIONS IN INCHES.

A 2918

DESIGN	SCALE	DRAWN BY	CK.	O.K.
	FULL	R. HAASE	E.K.	14

FORD MOTOR CO.
DEARBORN, MICH.

GPW1112117