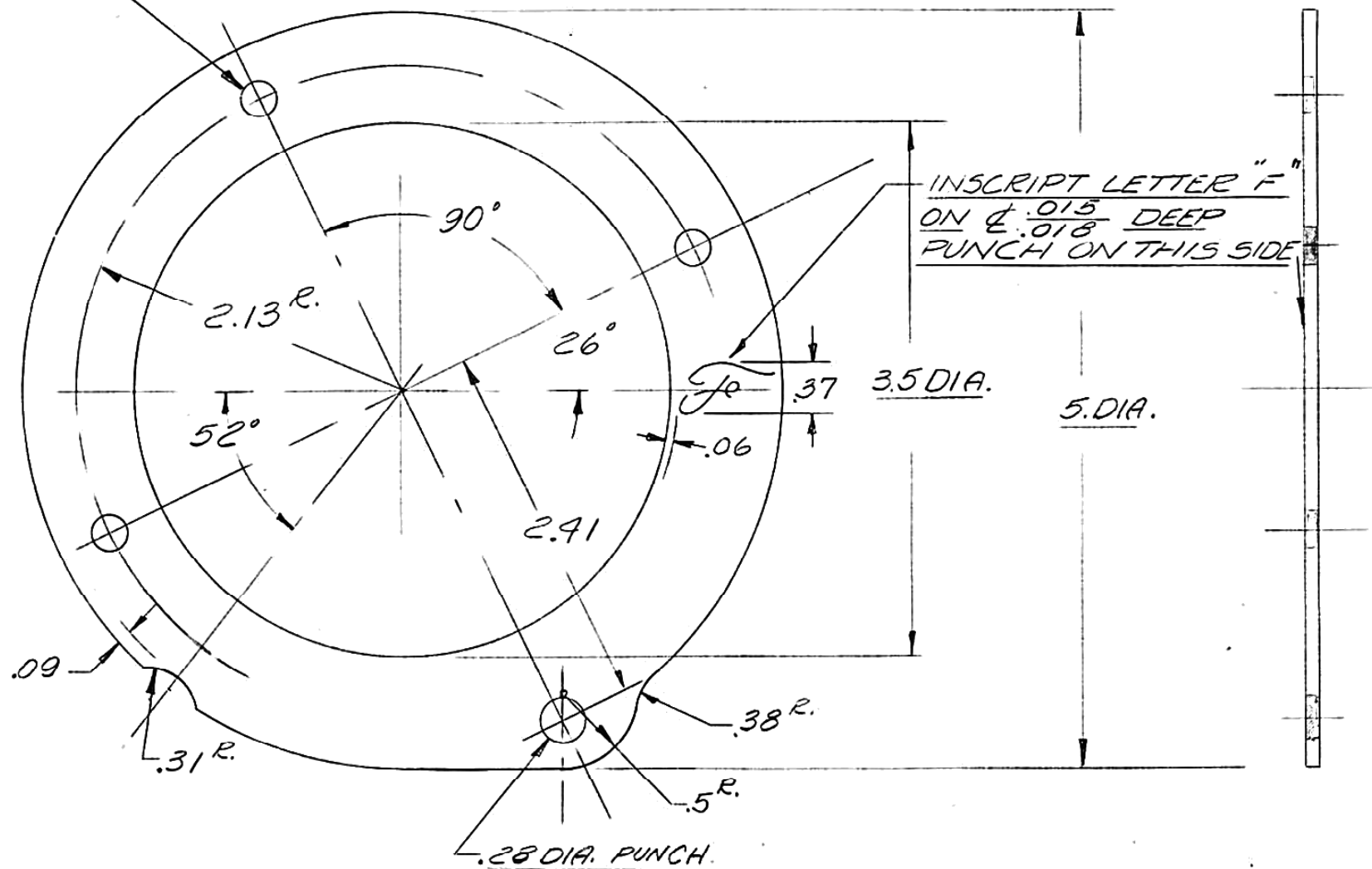


DRWG. STARTED		11-5-41	
DRWG. COMPLETED			
ENG. INF.	SUPP.	REVISED	CK.
L10	503	11-17-41	RF
L10	511	12-3-41	RF
L10	575	1-11-42	G.R.

22 DIA. PUNCH  
3-HOLES



MFG. DPT.	0
M	
B	
BD	
LIN	
DAG	
BEL	
FRA	
GER	
HOL	
SPN	
RUM	
ARG	
DEN	
CORP.	
MEX	
BRA	
JAP	
AUST	
SWED	
LIN	

RING - GEAR SHIFT LEVER HOUSING COVER

CLASS "Y" H.R.L.C. O.H. STEEL P. & O. # 16 U.S.S. GA (.0598)

PAIN - SEE PAINT SPECIFICATIONS

SURFACE & PHYSICAL PROPERTIES NECESSARY

TO MAKE PART

GPW1112119

ALLOWABLE VARIATION ON DIMENSIONS CONTROLLING FINISHED SURFACES IS ±.010 UNLESS OTHERWISE SPECIFIED. ALL DIMENSIONS IN INCHES.

A2919

DESIGN	SCALE	DRAWN BY	CK.	O.K.
	FULL	R. HAASE	E.K.	14

FORD MOTOR CO.  
DEARBORN, MICH.

GPW1112119