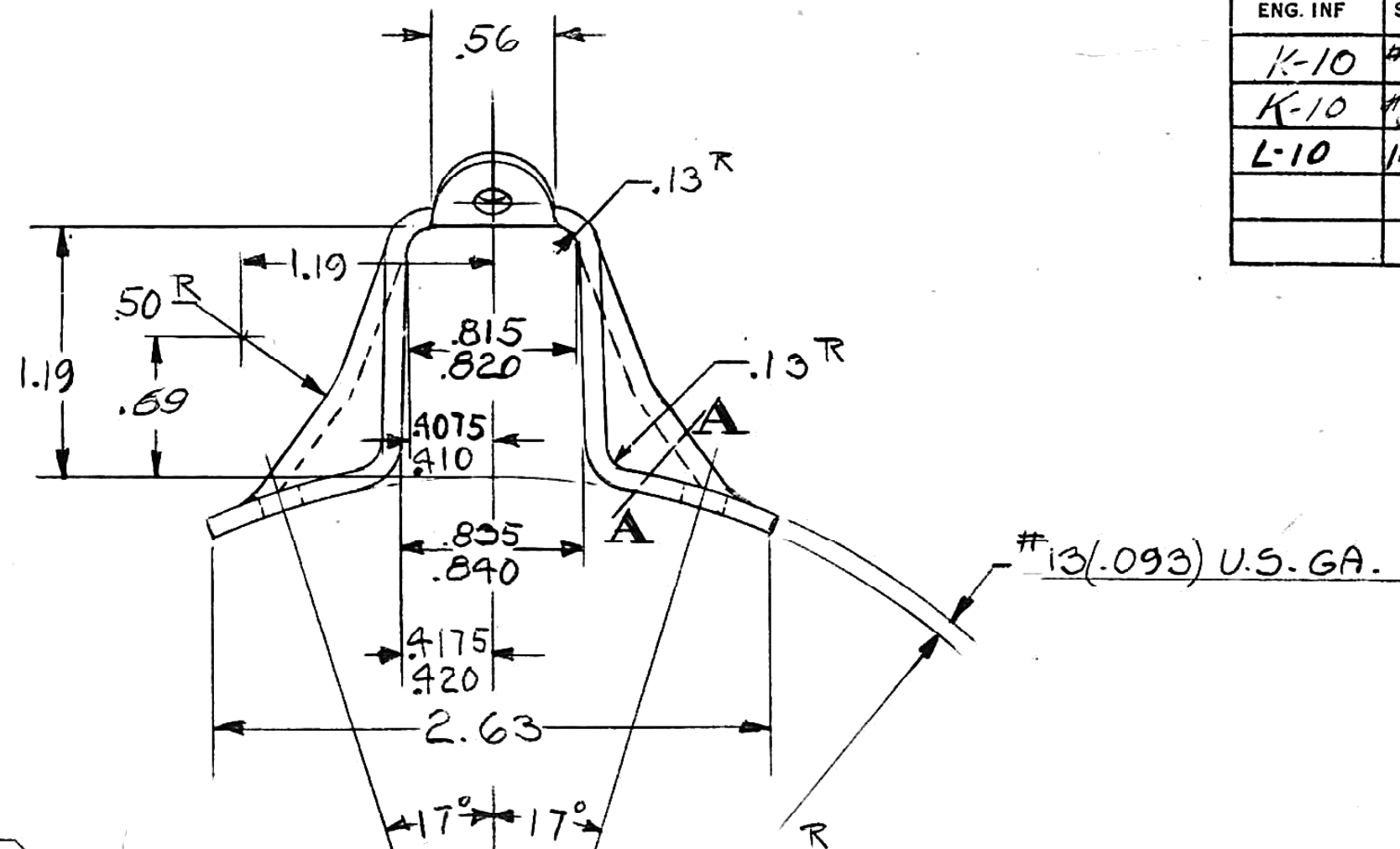
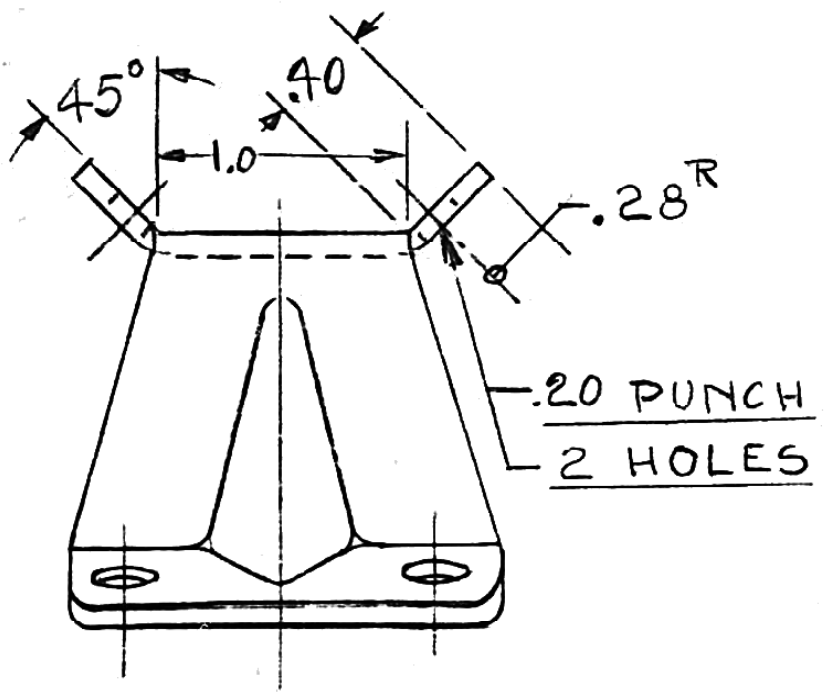


GP 2606

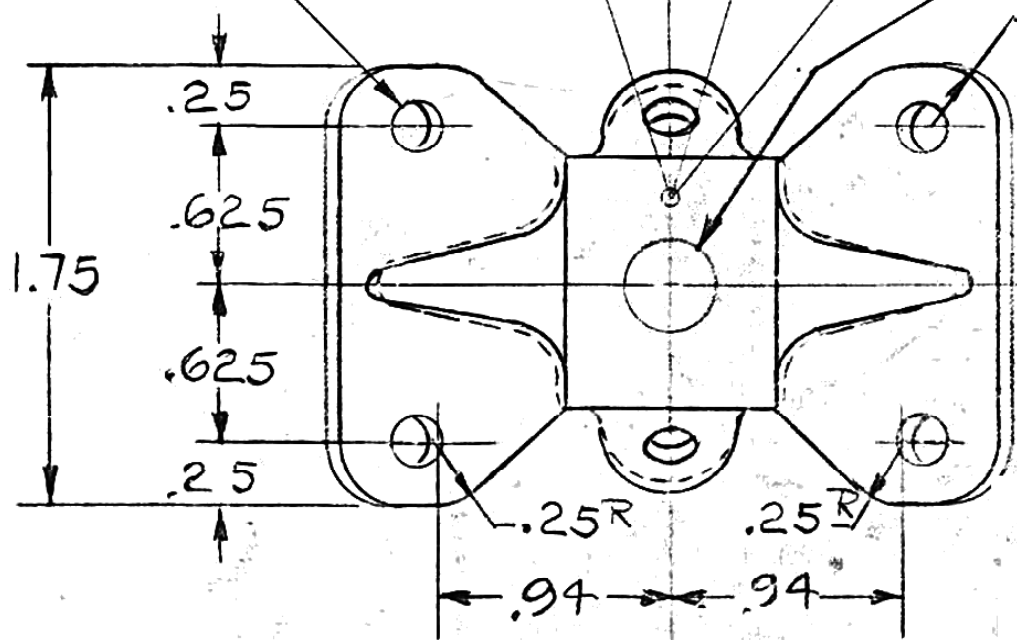
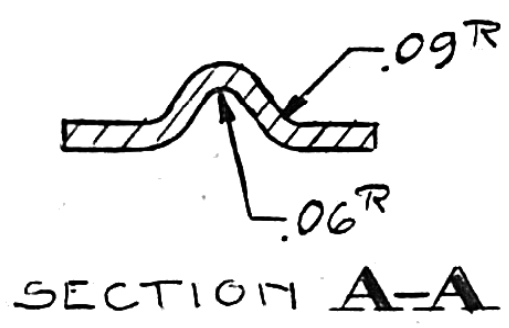
ALLOWABLE VARIATION ON DIMENSIONS CONTROLLING FINISHED SURFACES IS $\pm .010$ UNLESS OTHERWISE SPECIFIED. ALL DIMENSIONS IN INCHES.

DRWG. STARTED	12-20-40		
DRWG. COMPLETED	12-20-40		
ENG. INF.	SUPP.	REVISED	CK.
K-10	#21	12-31-40	ck
K-10	#52	1-28-41	P.H.
L-10	1472	1-15-44	P.H.



.20 DIA. PUNCH
4-HOLES

11/32 DIA. PUNCH



SUPPORT-HAND BRAKE BAND

H.R. L.C.O. H. P.&O. STEEL #13 U.S.S. GA. (.093)

MFG. DPT.	LIN.
	0
M	
B	
BD	
LIN	
DAG	
BEL	
FRA	
GER	
HOL	
SPN	
RUM	
ARC	
DEN	
CORK	
MEX	
BRA	
JAP	
AUST	
SWED	

DESIGN	SCALE	DRAWN BY	CK.	O.K.	FORD MOTOR CO.	GP-2606
W.G. 423-5	FULL	h...			DEARBORN, MICH.	