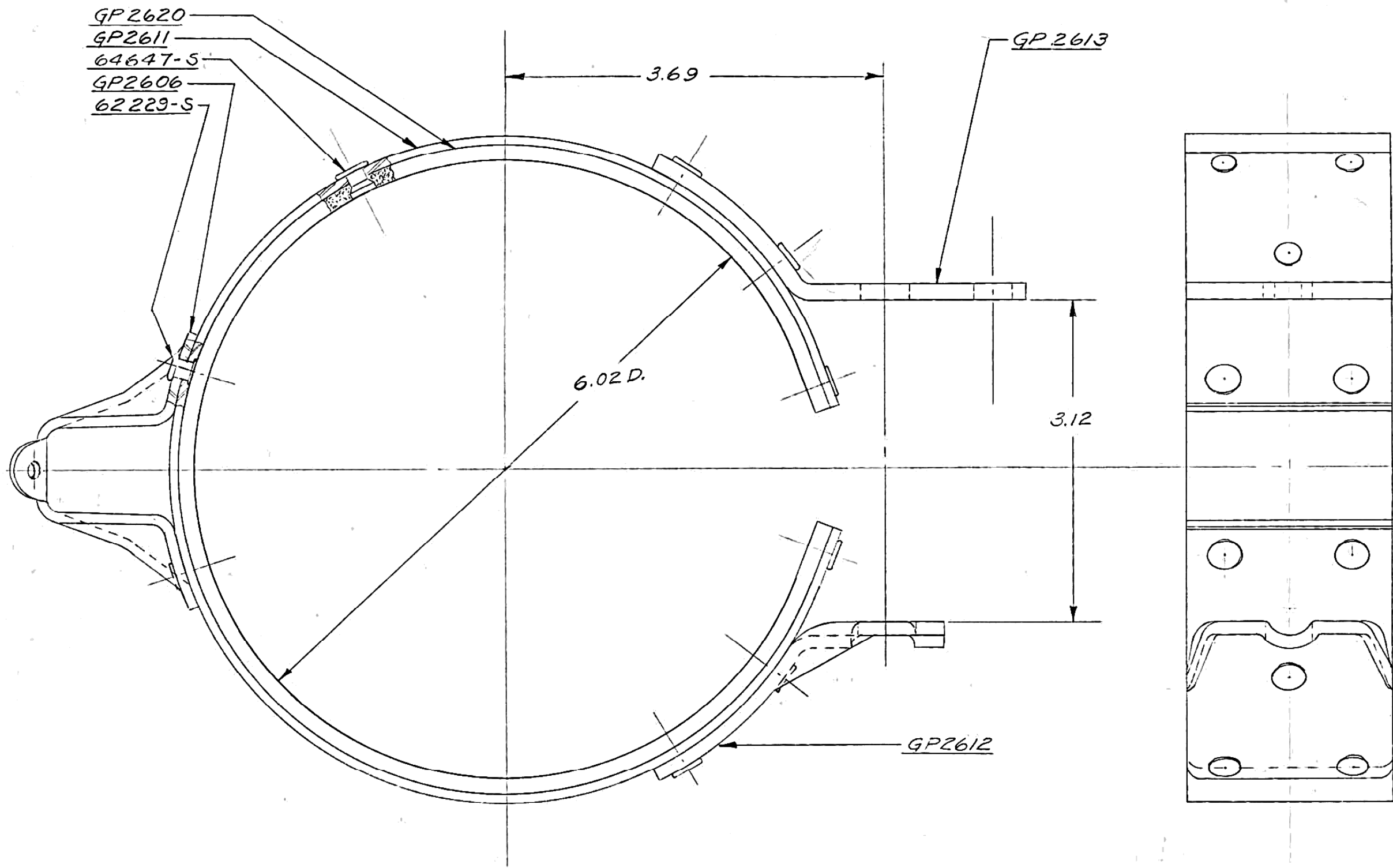


DRWG. STARTED	4-28-41		
DRWG. COMPLETED	4-28-41		
ENG. INF.	SUPP.	REVISED	CK.
K10	193	6-2-41	
L10	1765	6-16-43	FD
L10	1472	1-15-44	Ph



MFG DPT	0
M	
B	
BD	
LIN	
DAG	
BEL	
TRA	
GEN	
HOL	
SPN	
RUM	
ARG	
DEN	
CORK	
TEX	
BRA	
JAP	
AUST	
SWET	

BAND-HAND BRAKE & LINING ASS'Y

GP2648

ALLOWABLE VARIATION ON DIMENSIONS CONTROLLING FINISHED SURFACES IS ±.010 UNLESS OTHERWISE SPECIFIED. ALL DIMENSIONS IN INCHES.

DESIGN	SCALE	DRAWN BY	CK.	O.K.	FORD MOTOR CO.	GP2648
	FULL	FAWLEY			DEARBORN, MICH.	

MATERIAL AND NAME