

GP-2081

ALLOWABLE VARIATION ON DIMENSIONS CONTROLLING FINISHED SURFACES IS $\pm .010$ UNLESS OTHERWISE SPECIFIED. ALL DIMENSIONS IN INCHES.

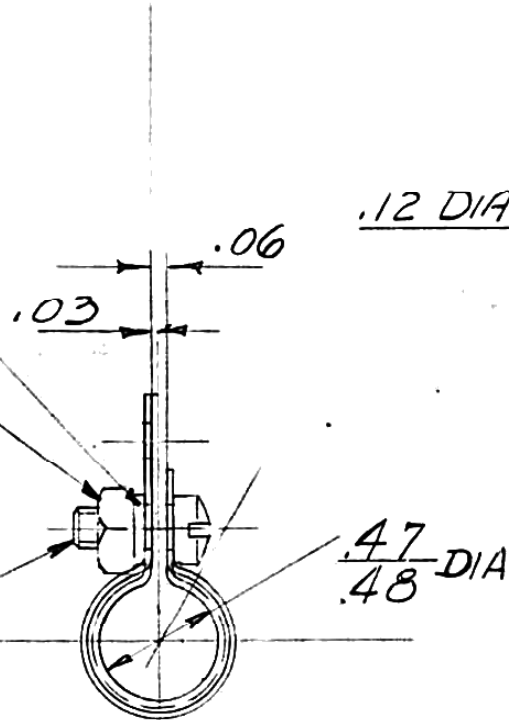
DRWG. STARTED	1-14-41		
DRWG. COMPLETED	1-14-41		
ENG. INF	SUPP.	REVISED	CK.
K10	#111	226-41	

34802-S2 or S7

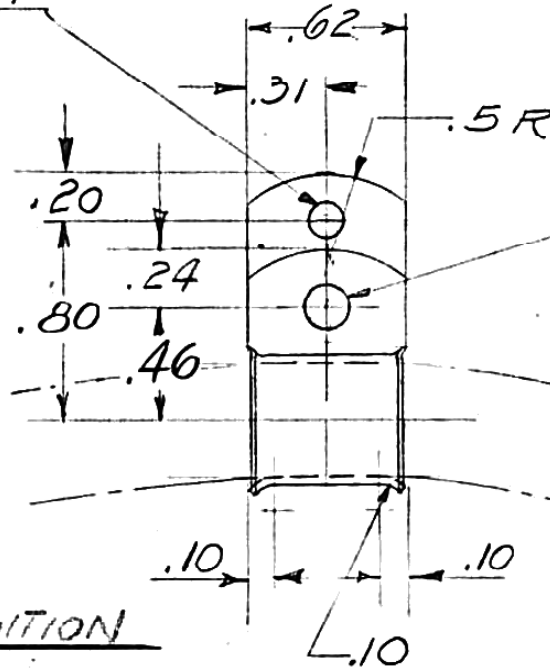
34052-S7 or S8 NUT

31045-S-2-SCREW

THIS 3 ITEMS ARE NOT PART OF THIS DRWG

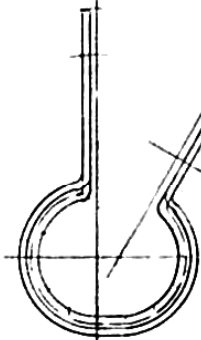


.12 DIA PUNCH



.18 DIA - PUNCH
2 HOLES

30-40° FORMED POSITION



MFG. DPT.	1570
M	
B	
BD	
LIN	
DAG	
BEL	
FRA	
GER	
HOL	
SPN	
RUM	
ARG	
DEN	
CGRY	
MEX	
BRA	
JAP	
AUST	
SWED	

CLIP - BRAKE HOSE SUSPENSION

HR L.C.O.H. P. & O STEEL #24 USS. GA(.0239)

FOR PAINT SEE PAINT SPEC.

DESIGN	SCALE	DRAWN BY	CK.	O.K.	FORD MOTOR CO.
	FULL	J. Reid			DEARBORN, MICH.

GP-2081

MATERIAL AND NAME