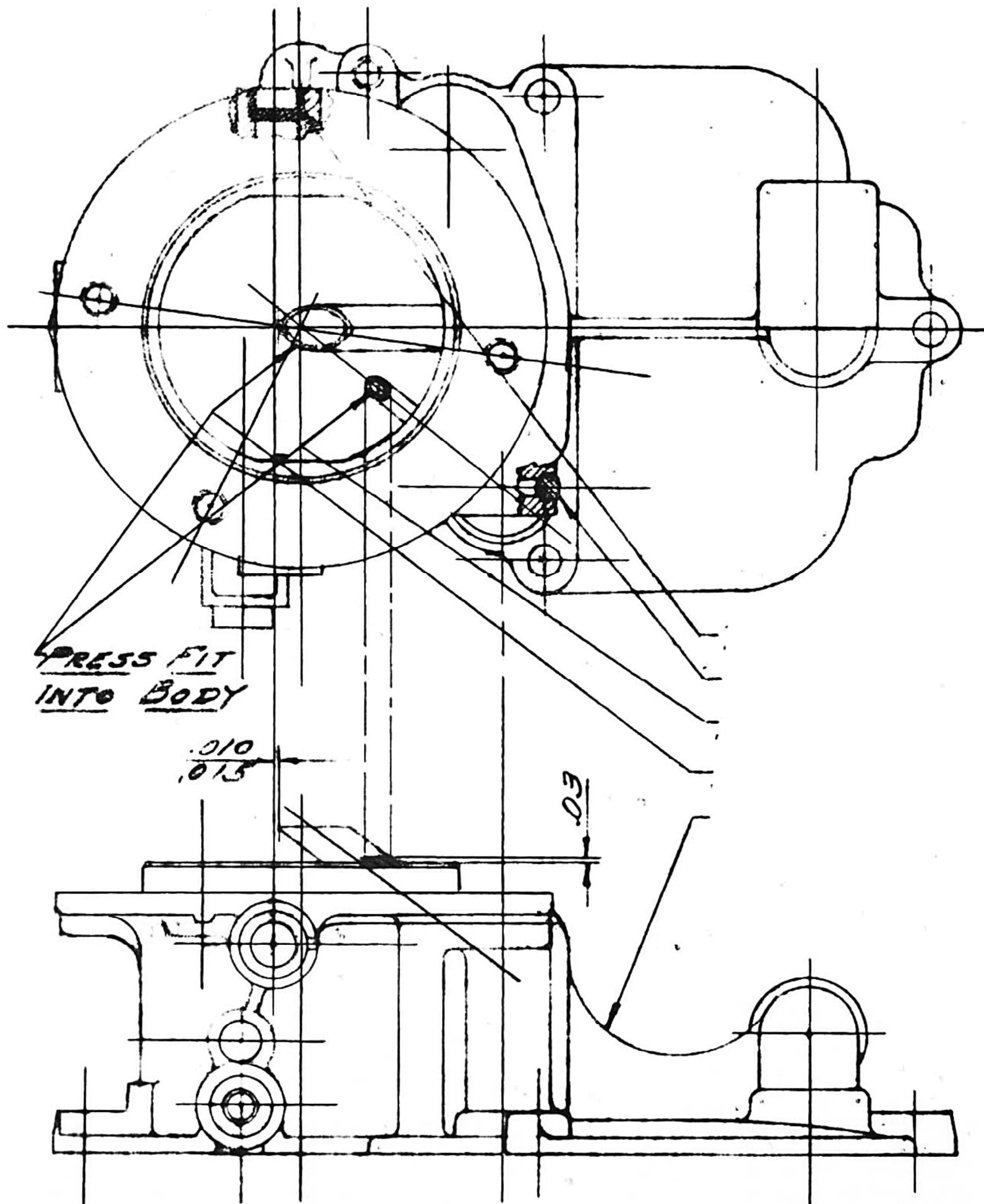


# GP-9524

ALLOWABLE VARIATION ON DIMENSIONS CONTROLLING FINISHED SURFACES IS  $\pm .010$  UNLESS OTHERWISE SPECIFIED. ALL DIMENSIONS IN INCHES.

DRWG. STARTED		2-20-41	
DRWG. COMPLETED		2-20-41	
ENG INF	SUPP.	REVISED	CK.
K10 #103		2-25-41	
K10 #121		3-5-41	RH



PRESS FIT  
INTO BODY

.010  
/ .015

.03

HORN & PLUG ASS'Y-CARB. AIR

MFG. DPT.	0
M	
B	
BD	
LIN	
DAG	
BEL	
FRA	
GER	
HOL	
SPN	
RWM	
ARG	
DEN	
CORK	
MEX	
BRA	
JAP	
AUST	
SWED	

MATERIAL AND NAME

1R-59A

DESIGN	SCALE	DRAWN BY	CK.	O.K.	FORD MOTOR CO.
HOLLEY	FULL	R. HENRY			DEARBORN, MICH.

# GP-9524