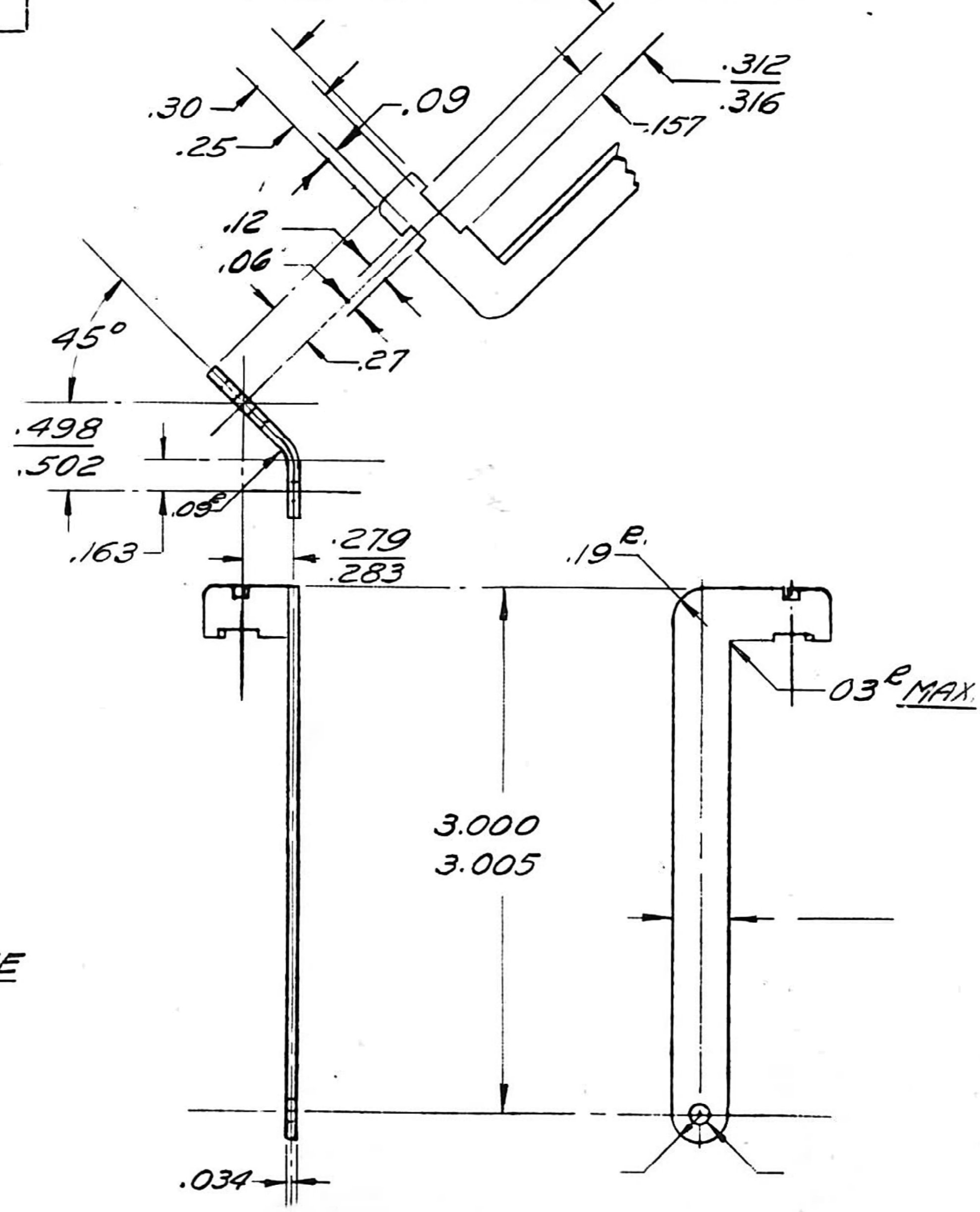


GP 9532

ALLOWABLE VARIATION ON DIMENSIONS CONTROLLING FINISHED SURFACES IS $\pm .010$ UNLESS OTHERWISE SPECIFIED. ALL DIMENSIONS IN INCHES.

DRWG. STARTED	1-24-41		
DRWG. COMPLETED	1-24-41		
ENG INF	SUPP.	REVISED	CK.
K10	#103	2-25-41	TN.
K10	#121	3-5-41	RH
K10	#162	4-1-41	RH



CADMIUM OR ZINC PLATE
SPEC. P-41-B

DRG. DPT.	0
M	
B	
BD	
LN	
DWG	
DEL	
FRA	
GER	
HOL	
SPN	
ROM	
ARG	
DEN	
COR	
MEX	
BRA	
JAP	
AUST	
SWED	

ROD-CARBURETOR PUMP OPERATING

C.R., L.C., OH. STEEL #15 GA. (.066-.070)

31R-18

DESIGN	SCALE	DRAWN BY	CK.	O.K.	FORD MOTOR CO.
HOLLEY	FULL	NOFFSINGEE			DEARBORN, MICH.

GP 9532

MATERIAL AND PARTS