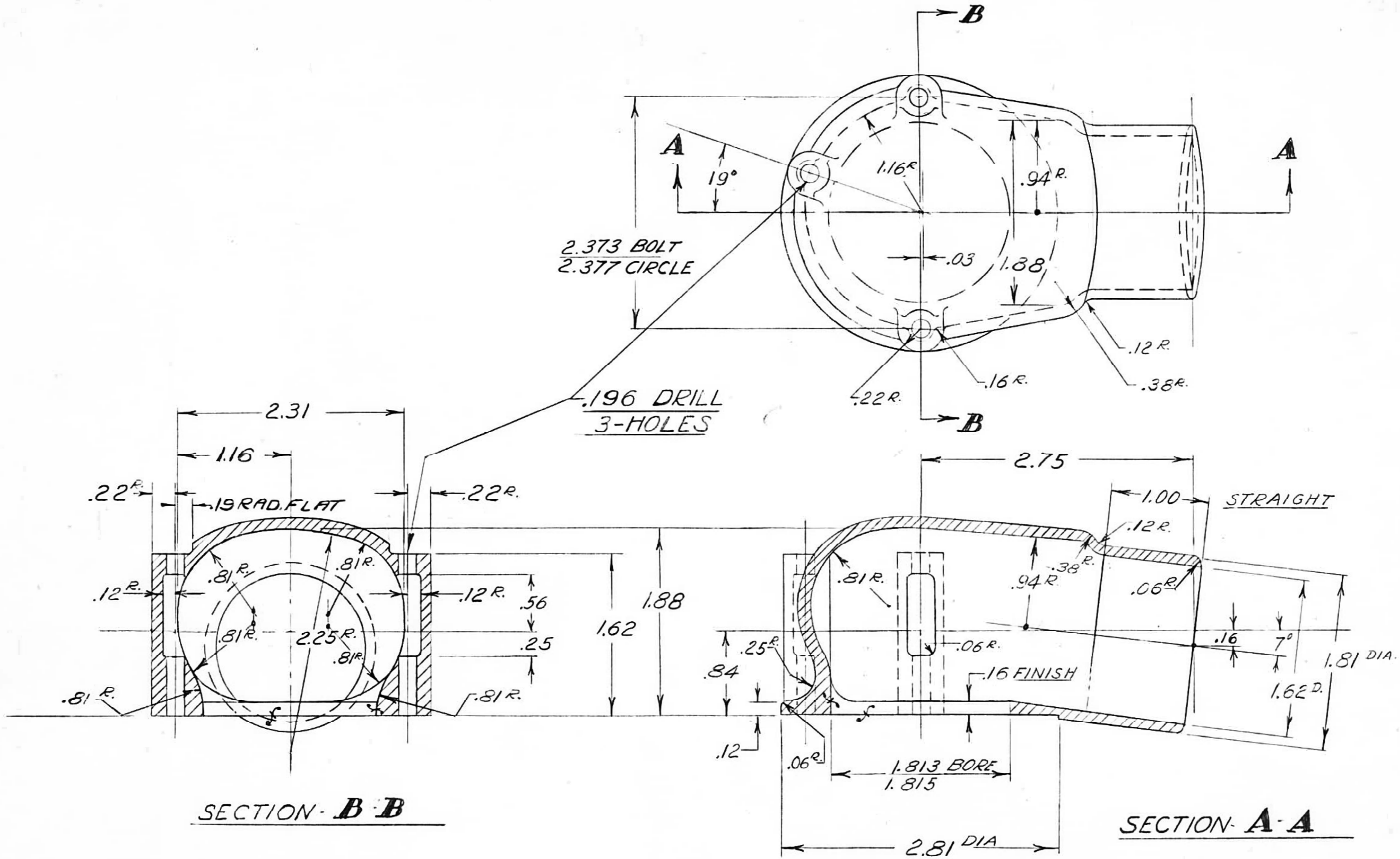


DRWG. STARTED	1-9-41		
DRWG. COMPLETED	1-9-41		
ENG. INF.	SUPP.	REVISED	CK.
K10	#46	1-23-41	
K10	#52	1-28-41	
K10	#93	2-19-41	
K10	#151	3-24-41	



ELBOW-AIR CLEANER TO CARBURETOR
 ALUMINUM CASTING # 2 OR ITS EQUIVALENT

MFG. DFT	0
6510	
M	
P	
HD	
LIN	
DAQ	
BEL	
FRA	
GER	
HOL	
SPN	
RUM	
ARG	
DEN	
CORL	
MEX	
BRA	
JAP	
AUT	
SWED	

GP 9632

ALLOWABLE VARIATION ON DIMENSIONS CONTROLLING FINISHED SURFACES IS ±.010 UNLESS OTHERWISE SPECIFIED. ALL DIMENSIONS IN INCHES.

61R-5

DESIGN	SCALE	DRAWN BY	CK.	O.K.	FORD MOTOR CO.
HOLLEY	FULL	Lochmiller			DETROIT, MICH.

GP 9632

MATERIAL NAME 1-15-41