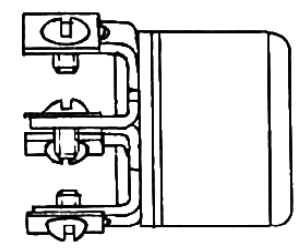
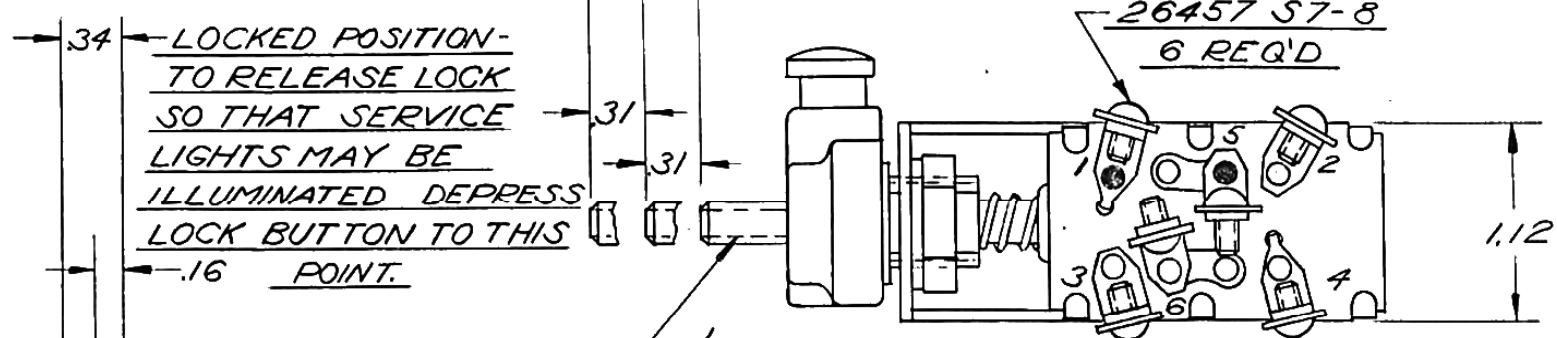


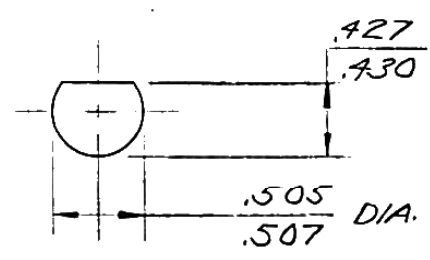
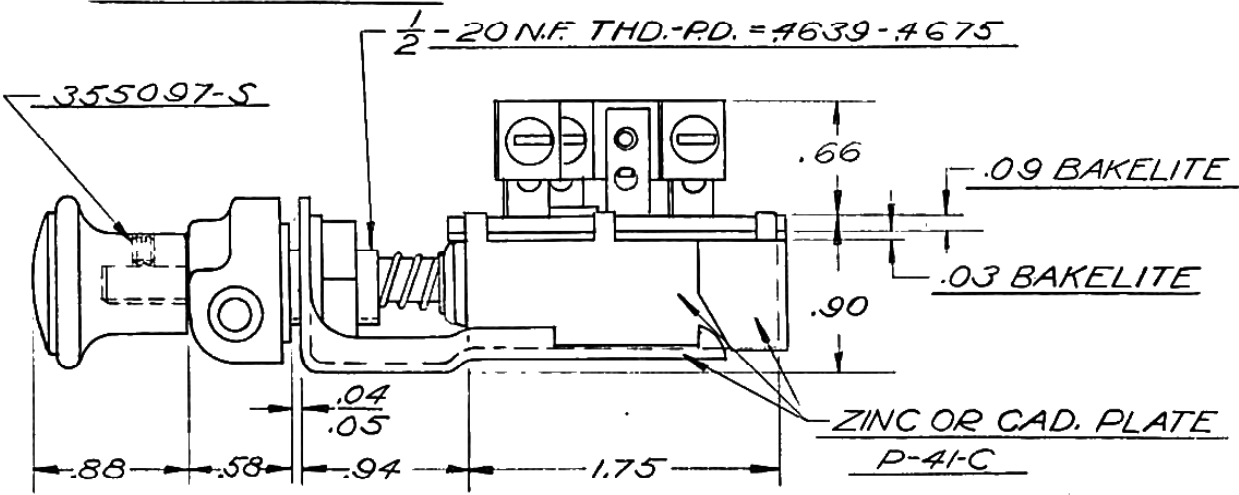
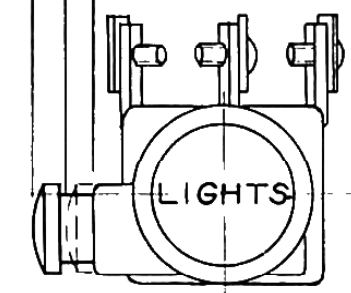
DRWG. STARTED	12-11-40		
DRWG. COMPLETED	12-12-40		
ENG. IN CH.	SUPP.	REVISED	CK.
K10	37	1-17-41	
L10	177	2-17-42	

OBS

"OFF" POSITION
 "BLACKOUT" POSITION
 "SERVICE" POSITION



SYM.	TERMINAL CONNECTIONS
#1	TO SERVICE HEADLIGHTS, TAIL LIGHT & INSTRUMENT PANEL LIGHTS
#2	TO BLACKOUT HEADLIGHTS & TAIL LIGHTS
#3	TO SERVICE STOPLIGHT
#4	TO BLACKOUT STOPLIGHT
#5	TO BATTERY & STOPLIGHT SWITCH
#6	TO OTHER SIDE OF STOPLIGHT SWITCH



DETAILS OF MOUNTING HOLES

BATTERY & HEADLIGHT CONTACTS SHALL HAVE .015 SILVER LAMINATED SURFACE ● SHOWN IN THIS MANNER
CONTACT PLATE FROM BATTERY TERM. TO HEADLIGHT TERM. SHALL HAVE .010-.012 SILVER LAMINATED SURFACE

WITH SWITCH IN BLACKOUT POSITION
TERMINALS #2 & 5 IN CONTACT
TERMINALS #4 & 6 IN CONTACT
WITH SWITCH IN SERVICE POSITION
TERMINALS #1 & 5 IN CONTACT
TERMINALS #3 & 6 IN CONTACT

*Insulate
 by
 11/15/44
 S. J. ...*

SWITCH-BLACKOUT-ASS'Y
LESS TRAILER LIGHTS

MFG. DPT.	0
H	
B	
SD	✓
LIR	
DAG	
BEL	
FRA	
GER	
ITOL	
SPH.	
RPM	
ARG	
DFN	
CORK	
KFF	
ORZ	
JAP	
AUST	
SWED	

GP 11654

ALLOWABLE VARIATION ON DIMENSIONS CONTROLLED FINISHED SURFACES IS .010 UNLESS OTHERWISE SPECIFIED. ALL DIMENSIONS IN INCHES.

DESIGN	SCALE	DRAWN BY	CK	O.K.	FORD MOTOR CO.	GP 11654
COLE-HERSEE	FULL	Appelblat			DETROIT, MICH.	

MATERIAL 11-15-44