

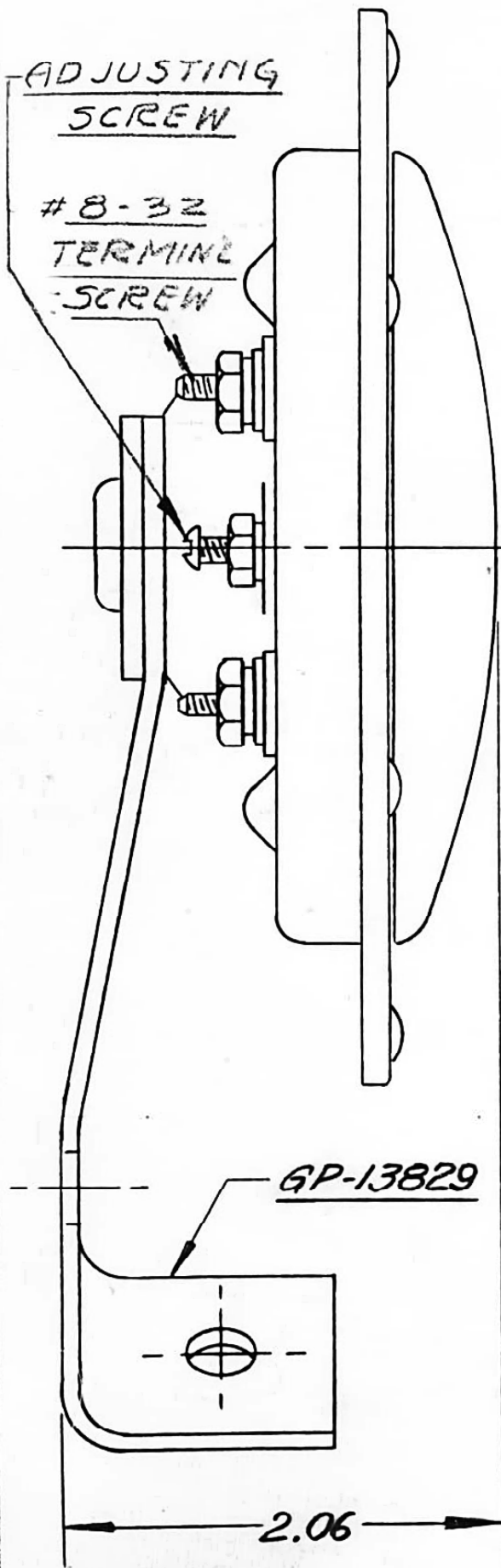
GP-13802

ALLOWABLE VARIATION ON DIMENSIONS CONTROLLING FINISHED SURFACES IS $\pm .010$ UNLESS OTHERWISE SPECIFIED. ALL DIMENSIONS IN INCHES.

DRWG. STARTED	1-8-41		
DRWG. COMPLETED	1-9-41		
ENG. INF	SUPP.	REVISED	CK.
K10	#37	1-17-41	

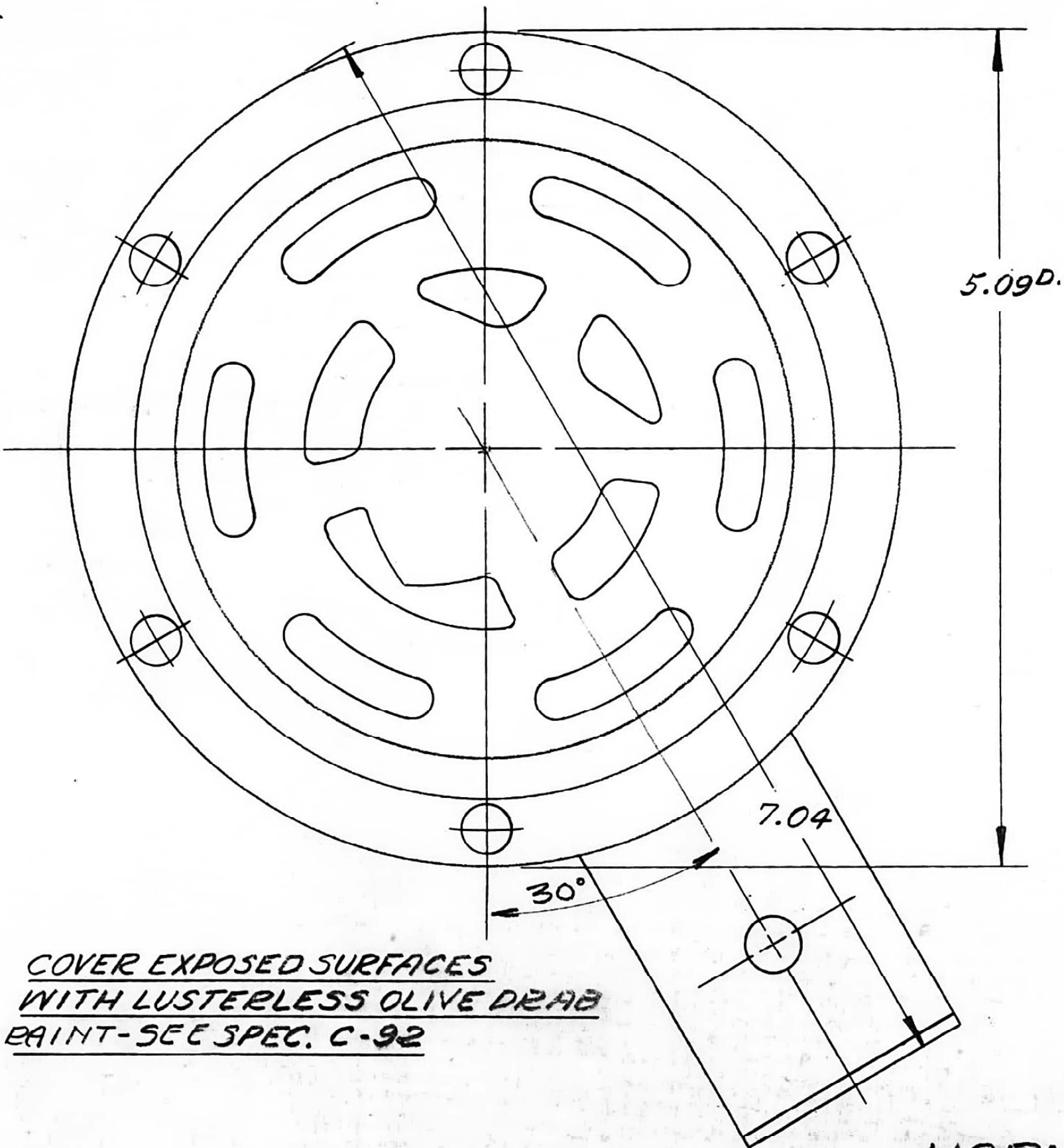
ADJUSTING
SCREW

#8-32
TERMINAL
SCREW



GP-13829

2.06



5.09D.

7.04

30°

COVER EXPOSED SURFACES
WITH LUSTERLESS OLIVE DRAB
PAINT-SEE SPEC. C-92

MFG. DPT.	0
M	
B	
BD	
LIN	
DAG	
BEL	
FRA	
GER	
HOL	
SPN	
RUM	
ARG	
DEN	
CORK	
MEX	
BRA	
JAP	
AUST	
SWED	

HORN-ASSEMBLY
6 VOLT

B-9244

DESIGN	SCALE	DRAWN BY	CK.	O.K.	FORD MOTOR CO.
SPARKS WITH.CO.	FULL	R. HENRY			DEARBORN, MICH.

GP-13802

ampere draw = 7-8 amperes.

MATERIAL AND NAME