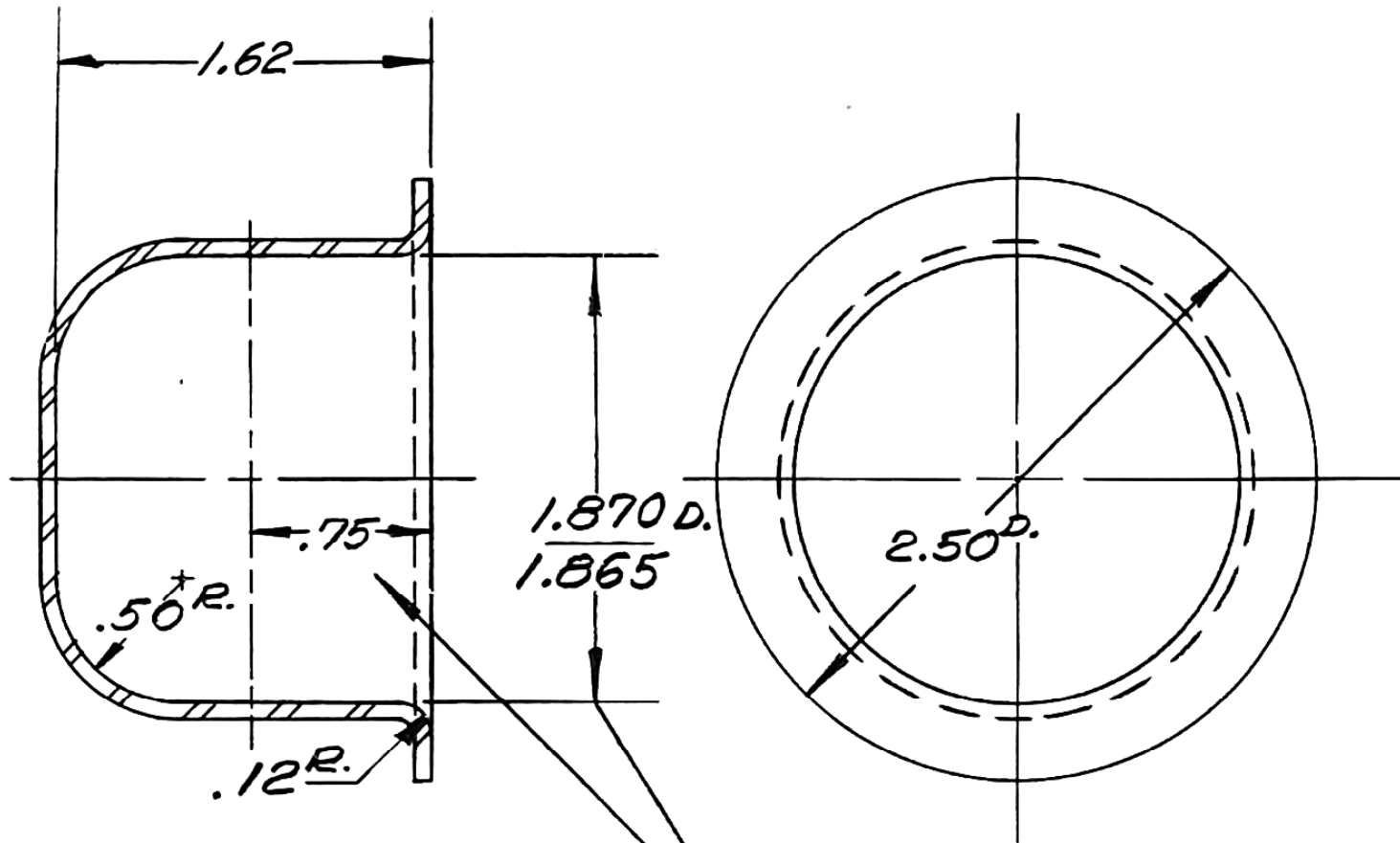


GP-1139

ALLOWABLE VARIATION ON DIMENSIONS CONTROLLING FINISHED SURFACES IS $\pm .010$ UNLESS OTHERWISE SPECIFIED. ALL DIMENSIONS IN INCHES.

DRWG. STARTED	1-31-41		
DRWG. COMPLETED	1-31-41		
ENG. INF	SUPP.	REVISED	CK.
K10 #89		2-18-41	
K10 #169		4-29-41	R/W



MFG. DPT.	193
M	
B	
BD	
LIN	
DAG	
BEL	
FRA	
GER	
HOL	
SPN	
RUM	
ARG	
DEN	
CORK	
MEX	
BRA	
JAP	
AUST	
SWED	

DIA. TO BE MAINTAINED FOR THIS DEPTH

CAP-FRONT HUB GREASE
H.R, L.C, O.H, STEEL #16 U.S.S. GAGE (.0598) P&O.

MATERIAL AND NAME

17071

DESIGN	SCALE	DRAWN BY	CK.	O.K.	FORD MOTOR CO.
SPICER	FULL	R. HENRY			DEARBORN, MICH.

GP-1139