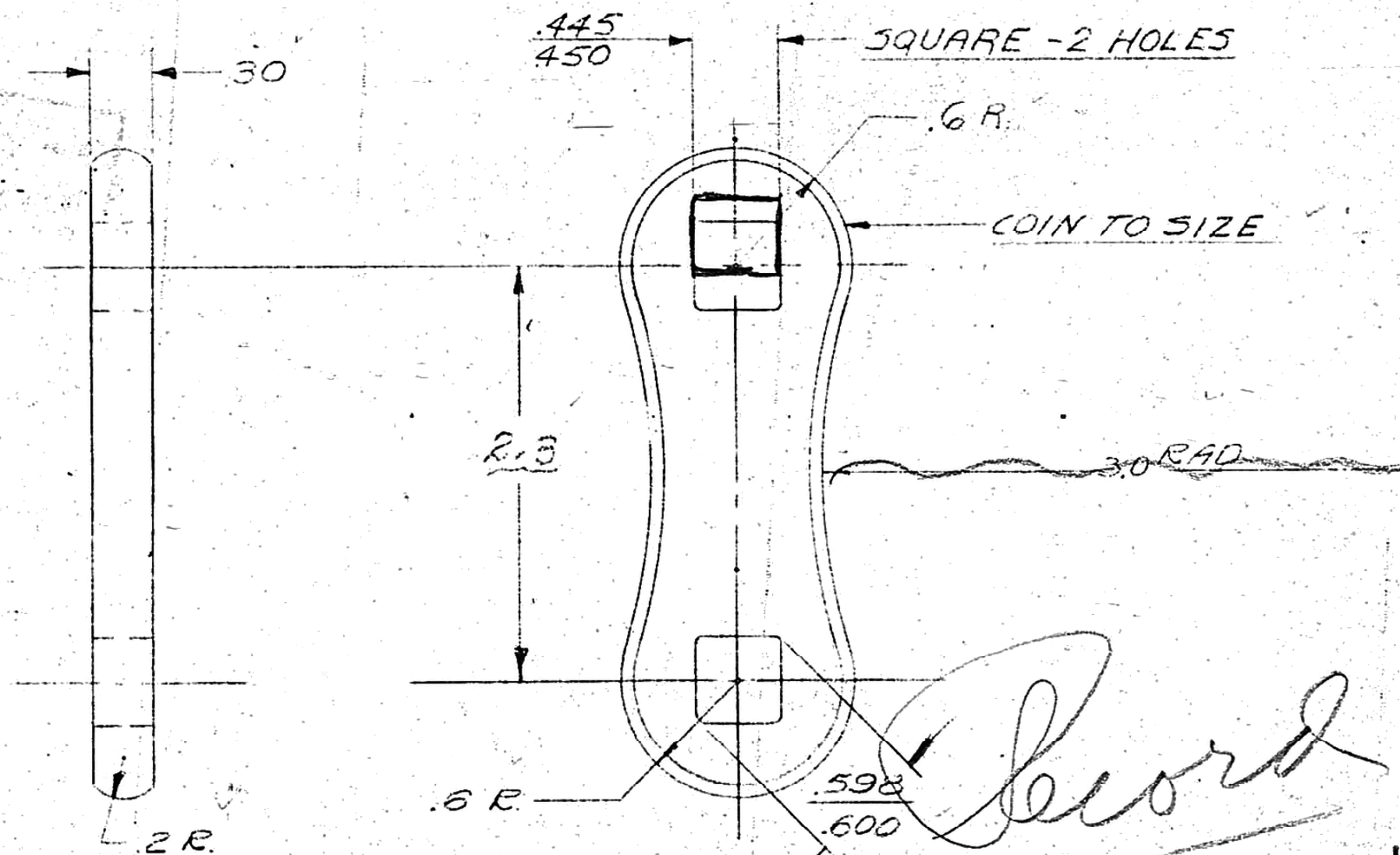


GP5468

ALLOWABLE VARIATION ON DIMENSIONS CONTROLLING FINISHED SURFACES IS  $\pm .010$  UNLESS OTHERWISE SPECIFIED. ALL DIMENSIONS IN INCHES.

DRWG. STARTED	11-27-40		
DRWG. COMPLETED	11-27-40		
ENG. INF	SUPP.	REVISED	CK.
K10	F15	12-26-40	



MFG. DPT.	1519
M	
B	
BD	
LIN	
DAG	
BEL	
FRA	
GER	
HOL	
SPN	
RUM	
ARG	
DEN	
CORK	
MEX	
BRA	
JAP	
ADS	
SWD	

LINK-REAR SPRING SHACKLE

C.D.C.H. TYPE "EE" STEEL WIRE  
170-228 BRINELL AFTER FORMING

PAINT SEE SPEC.

sub

*Handwritten signature and notes:*  
160  
12-26-40

MATERIAL AND NAME  
12-26-40

DESIGN	SCALE	DRAWN BY	CK.	O.K.	FORD MOTOR CO. DEARBORN, MICH.	GP5468
	FULL	LUCAS				