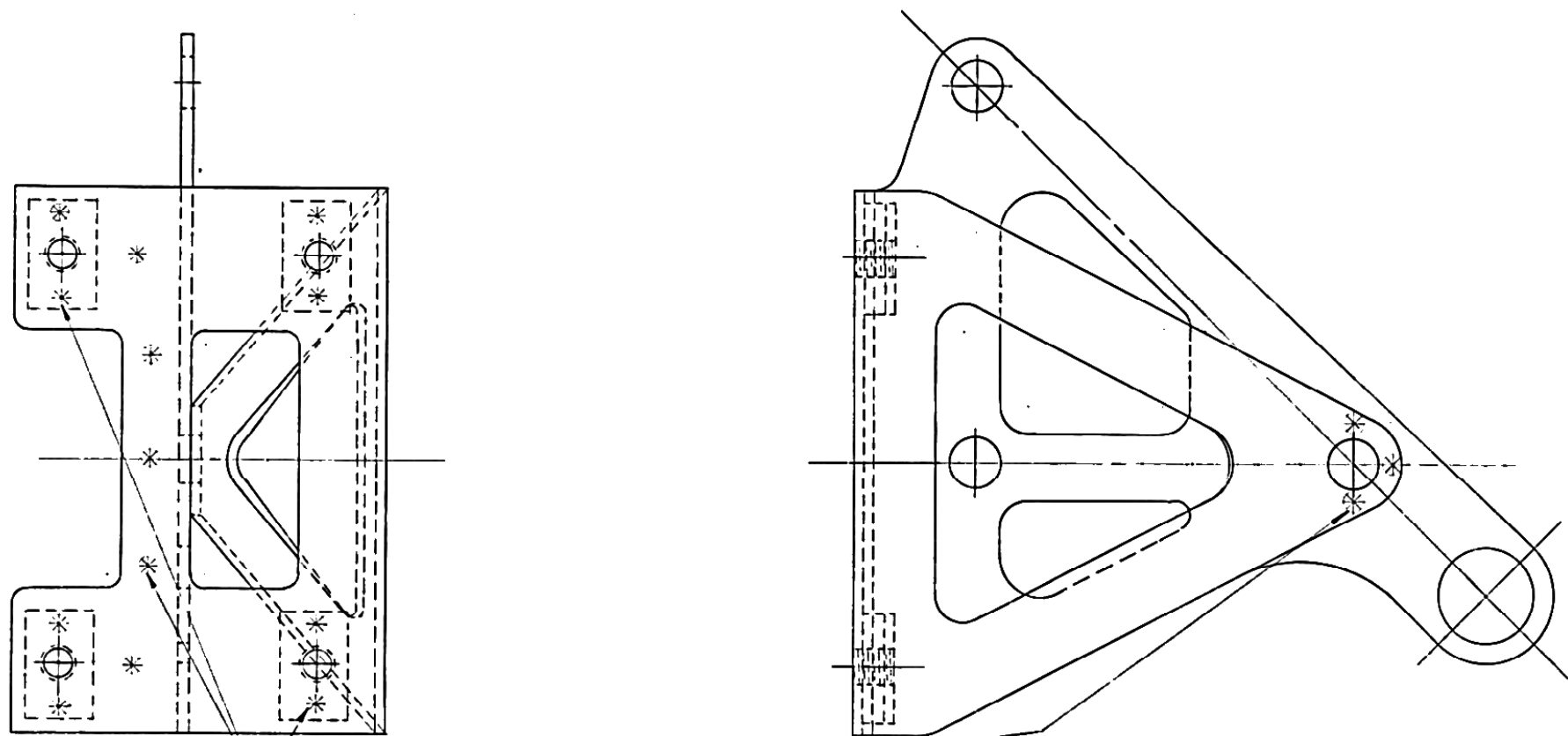
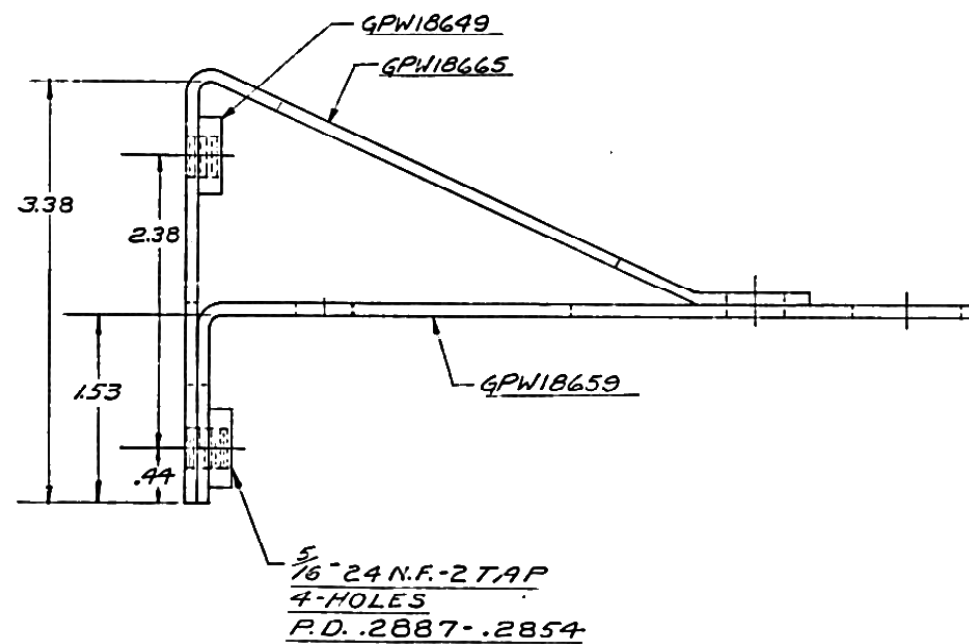


DRWG. STARTED	12-3-41		
DRWG. COMPLETED	12-4-41		
ENG. IN/	SUPP.	REVISED	CK.
L10	90	12-10-41	R
L10	162	2-10-42	R
L10	123	5-20-43	R
L10	133	2-25-44	R



SPOT WELD SECURLY
16 PLACES
ALIGN HOLES WHEN WELDING.



PAINT-SEE SPEC.

BRACKET ASSY.- OIL FILTER MOUNTING

MFG. DPT.	8
DESIGNER	S.R.
M.D.	
M.H.P.	
ED	
LN	
PAS	
DEL	
FRA	
GER	
HDL	
SPN	
TUM	
ARG	
DEK	
CONR	
MEX	
BRA	
JAP	
AUST	
SWED	

GPW-18663

ALLOWABLE VARIATION ON DIMENSIONS CONTROLLING FINISHED SURFACES IS .015 UNLESS OTHERWISE SPECIFIED. ALL DIMENSIONS IN INCHES.

(W)-A-1247

DESIGN	SCALE	DRAWN BY	CK.	D.K.	FORD MOTOR CO.	GPW-18663
		R. FISCHER			DEARBORN, MICH.	

Handwritten signatures and initials