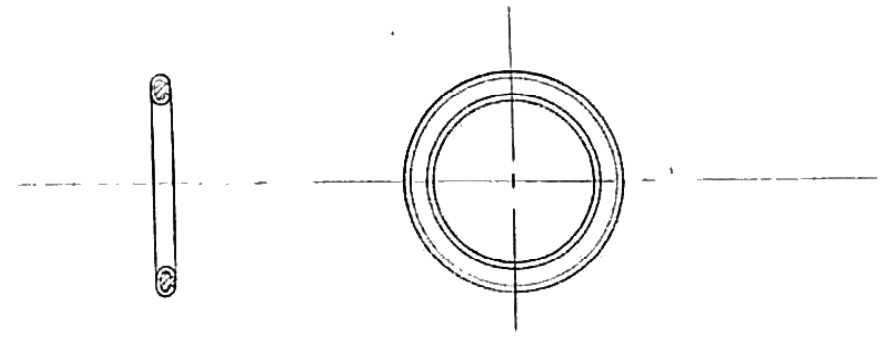
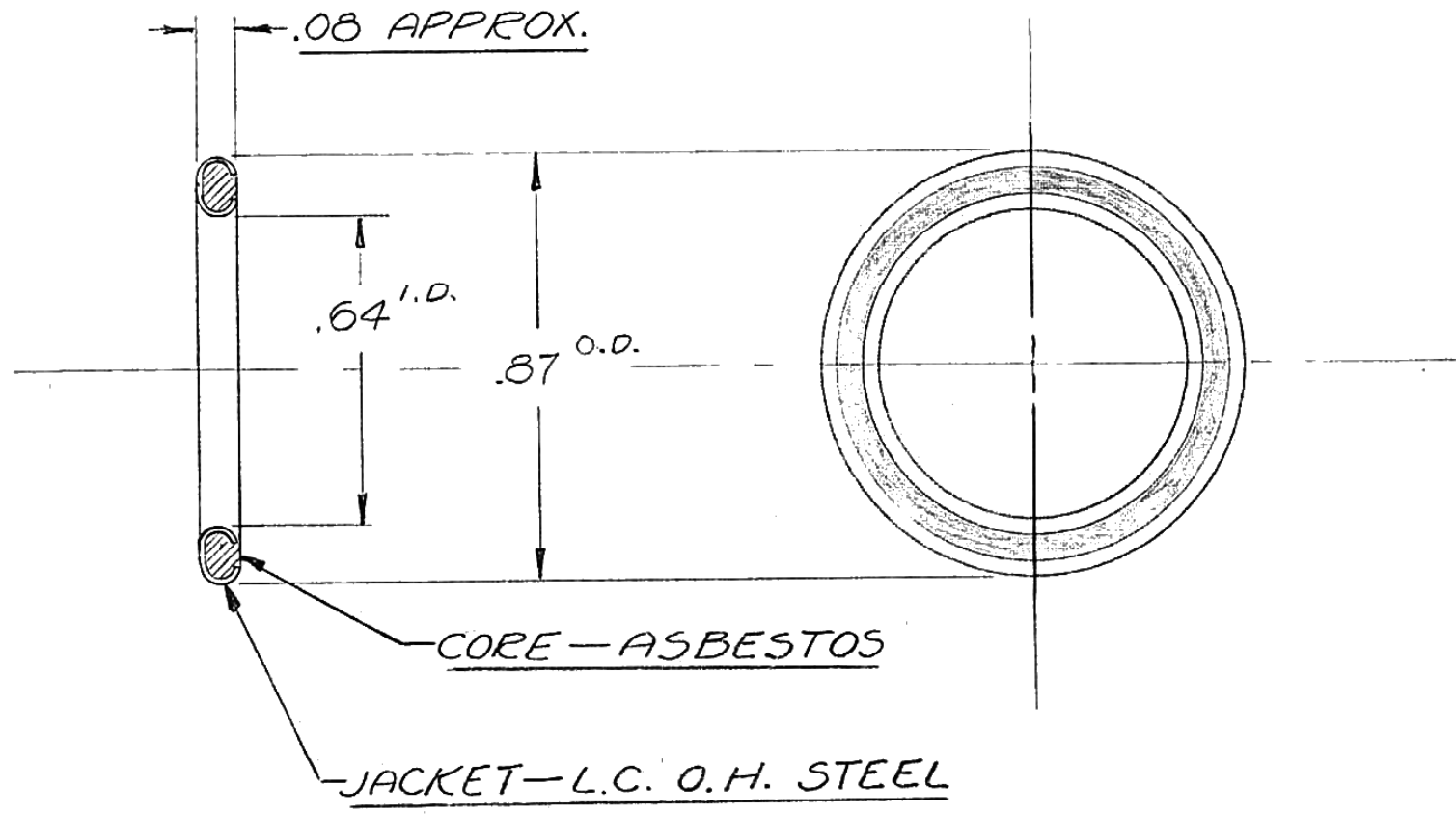


GPW-18675-A3



FULL SIZE



2-15-43

LET.	REVISIONS	ENG. INF.	SUPP.	DATE	CK.				
				2-19-43					
NAME		GASKET - OIL FILTER COVER BOLT							
MATERIAL		<table border="1"> <tr> <td>MFG. DPT.</td> <td></td> </tr> <tr> <td></td> <td>0</td> </tr> </table>				MFG. DPT.			0
MFG. DPT.									
	0								
ALLOWABLE VARIATION ON DIMENSIONS CONTROLLING FINISHED SURFACES IS $\pm .010$ UNLESS OTHERWISE SPECIFIED. ALL DIMENSIONS IN INCHES.									
STARTED	COMPLETED	DRAWN BY	CK.	O.K.	SCALE				
2-13-43	2-13-43	PATTERSON			DOUBLE				

GPW-18675-A3

FORD MOTOR COMPANY
DEARBORN, MICHIGAN