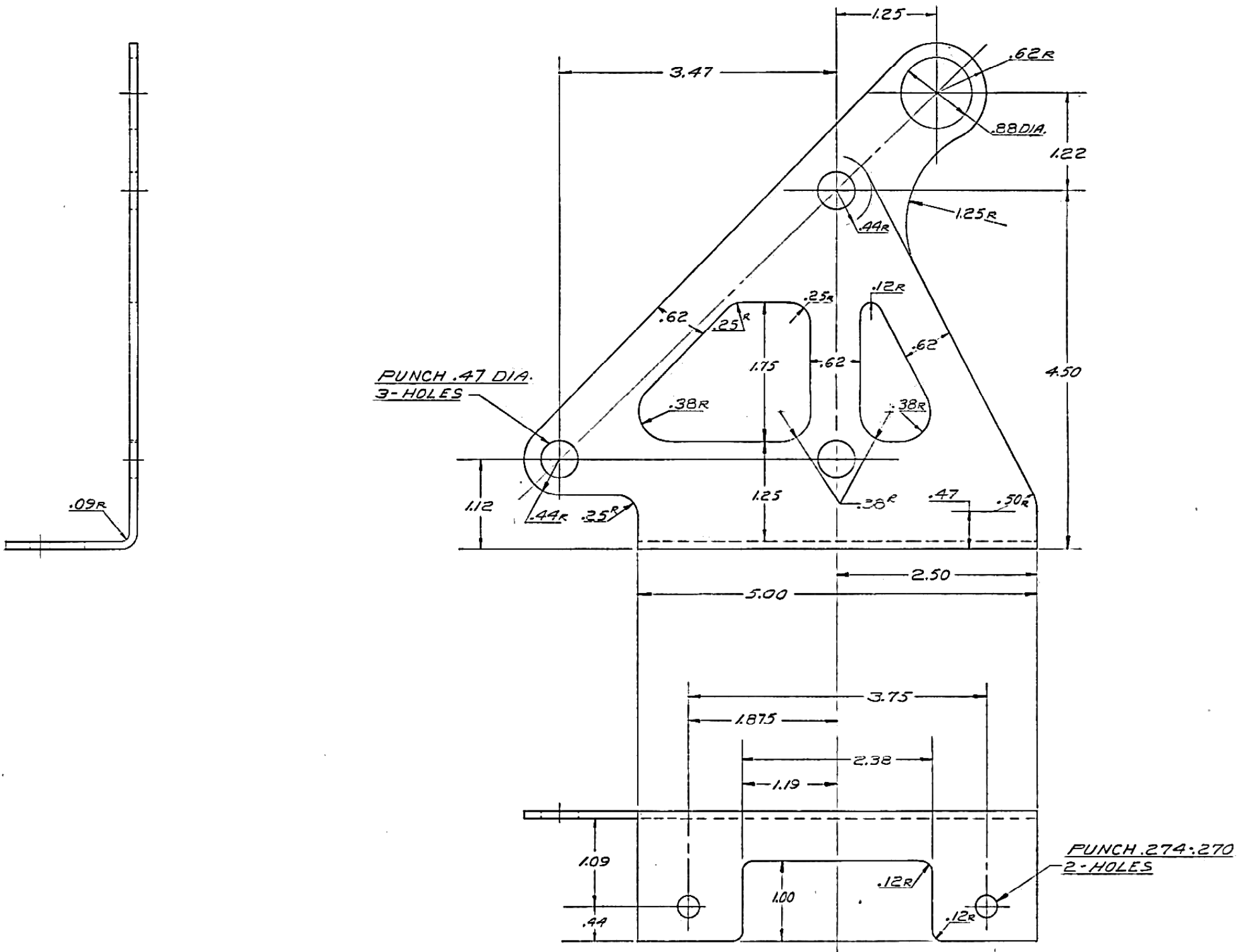


DRWG. STARTED	12-3-41		
DRWG. COMPLETED	12-3-41		
ENG. INF.	SUPP.	REVISED	CK.
L10	90	12-10-41	W
L10	1005	3-12-42	P



MFG. DEPT.	0
M	
B	
DD	
LIN	
CAL	
HEL	
CER	
HOL	
SPN	
RUM	
ARG	
DEN	
CONR	
MEX	
BIA	
JAP	
AUST	
SWED	

**BRACKET-OIL FILTER MOUNTING-LOWER**

HR. L.C. OH. STEEL P40  
#13 U.S.S. GAGE (0697)

GPW-18659

ALLOWABLE VARIATION ON DIMENSIONS CONTROLLING FINISHED SURFACES IS .015 UNLESS OTHERWISE SPECIFIED. ALL DIMENSIONS IN INCHES.

(VI) A-1249

DESIGN	SCALE	DRAWN BY	CK.	O.K.	FORD MOTOR CO.
		R. FISCHER			DEARBORN, MICH.

GPW-18659

9/25/41 12-3-41