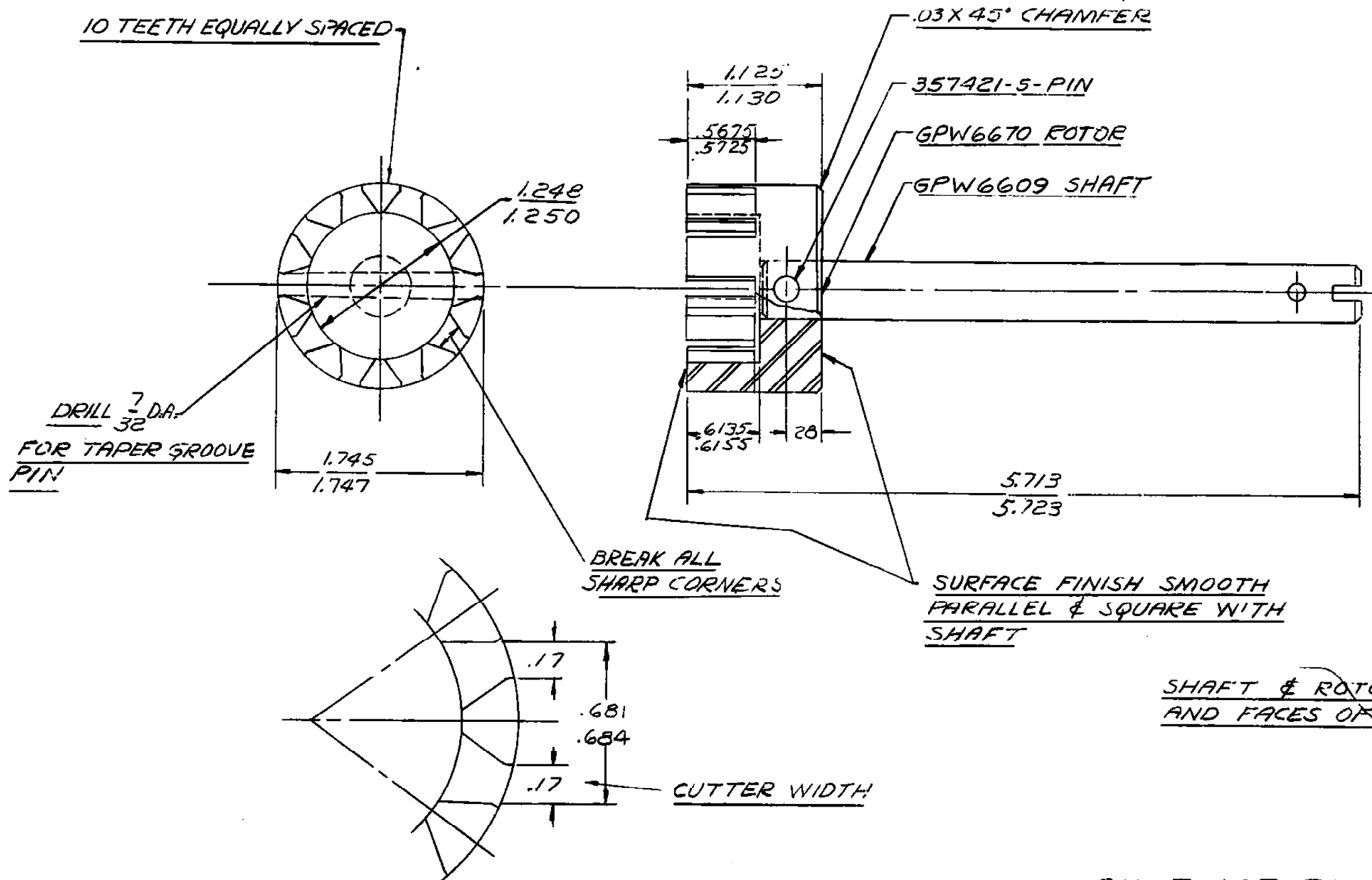


DRWG. STARTED	10-20-41		
DRWG. COMPLETED	10-20-41		
ENG. INF.	SUPP.	REVISED	CK.
L 10 # 13		11-18-41	
L 10	1511	2-19-44	D.E.



MFG. DPT	757
M	
S	
BD	
LIN	
DAG	
BEL	
TRA	
GER	
HOL	
EPN	
RUM	
ARG	
DEM	
CORK	
MEX	
SEA	
JAP	
AUST	
SWED	

OIL PUMP SHAFT ASSEMBLY

GPW-6608

ALLOWABLE VARIATION ON DIMENSIONS CONTROLLING FINISHED SURFACES IS $\pm .010$ UNLESS OTHERWISE SPECIFIED. ALL DIMENSIONS IN INCHES. (M)636599

DESIGN	SCALE	DRAWN BY	CK.	O.K.	FORD MOTOR CO.	GPW-6608
	FULL	V. ROTOLE	HW		DEARBORN, MICH.	

MATERIAL AND NAME