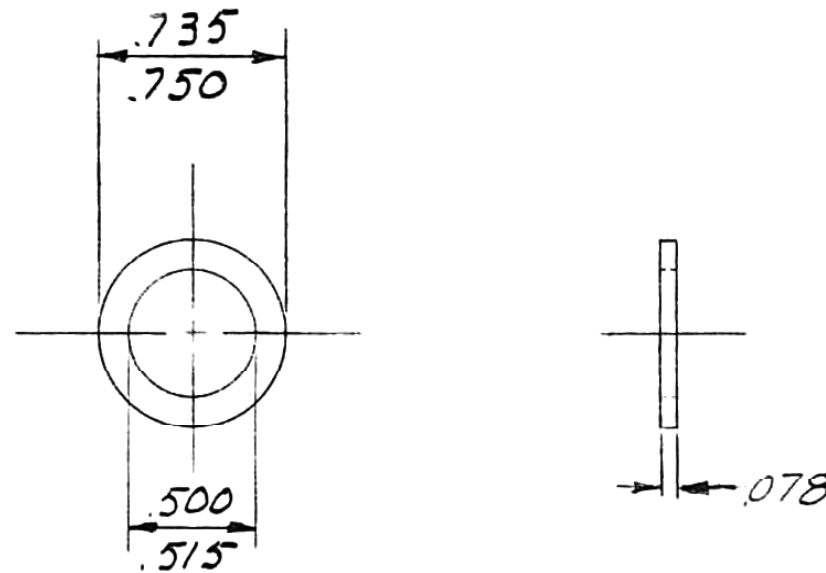


GPW-6625

ALLOWABLE VARIATION ON DIMENSIONS CONTROLLING FINISHED SURFACES IS ± 0.010 UNLESS OTHERWISE SPECIFIED. ALL DIMENSIONS IN INCHES.

DRWG. STARTED		10-28-41	
DRWG. COMPLETED		10-28-41	
ENG. INF	SUPP.	REVISED	CK.
L10#	11	11-8-41	



MFG. DPT.	O
M	
B	
BD	
LIN	
DAG	
BEL	
FRA	
GER	
HOL	
SPN	
RUM	
ARG	
DEN	
CORK	
MEX	
BRA	
JAP	
AUST	
SWED	
M B	

GASKET-OIL PUMP SHAFT
M-6024-A CORK

(W)375927

DESIGN	SCALE	DRAWN BY	CK.	O.K.	FORD MOTOR CO. DEARBORN, MICH.	GPW-6625
	FULL	Wilkinson	W			

MATERIAL AND NAME
CORK