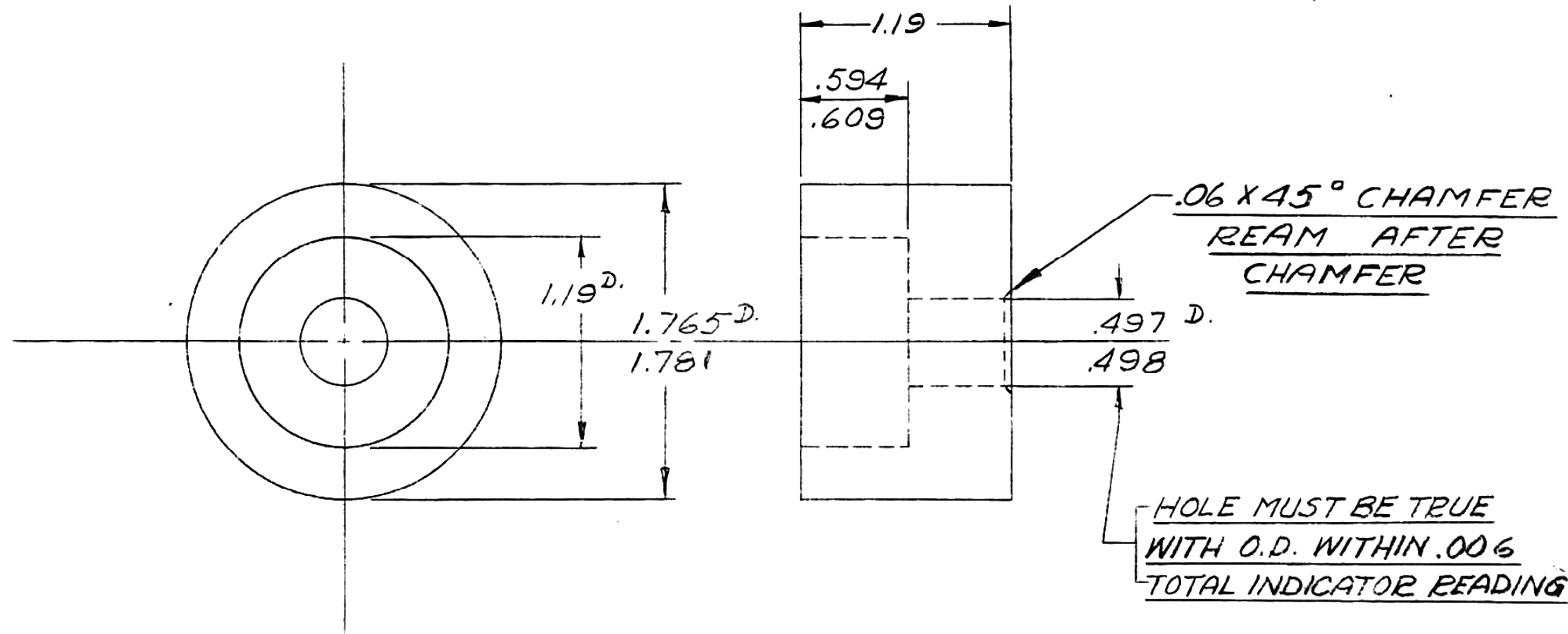


GPW-6670

ALLOWABLE VARIATION ON DIMENSIONS CONTROLLING FINISHED SURFACES IS $\pm .010$ UNLESS OTHERWISE SPECIFIED. ALL DIMENSIONS IN INCHES.

DRWG. STARTED	10-29-41		
DRWG. COMPLETED	10-29-41		
ENG. INF.	SUPP.	REVISED	CK.
L10#	11	11-8-41	
L10#	1352	9-8-43	H.L.



FINISH ALL OVER

ROTOR-OIL PUMP SHAFT
C.D. S.A.E. - 1030 STEEL OR TYPE 3F STEEL

MFG. DPT.	
	D
	848
	751
M	
B	
RD	
LIN	
DAG	
BEL	
FRA	
GER	
HOL	
SPN	
RUM	
ARG	
DEN	
CORK	
MEX	
BRA	
JAP	
AUST	
SWED	

(W) 375925

DESIGN	SCALE	DRAWN BY	CK.	O.K.	FORD MOTOR CO.	GPW-6670
	FULL	Wilkinson			DEARBORN, MICH.	

MATERIAL AND NAME