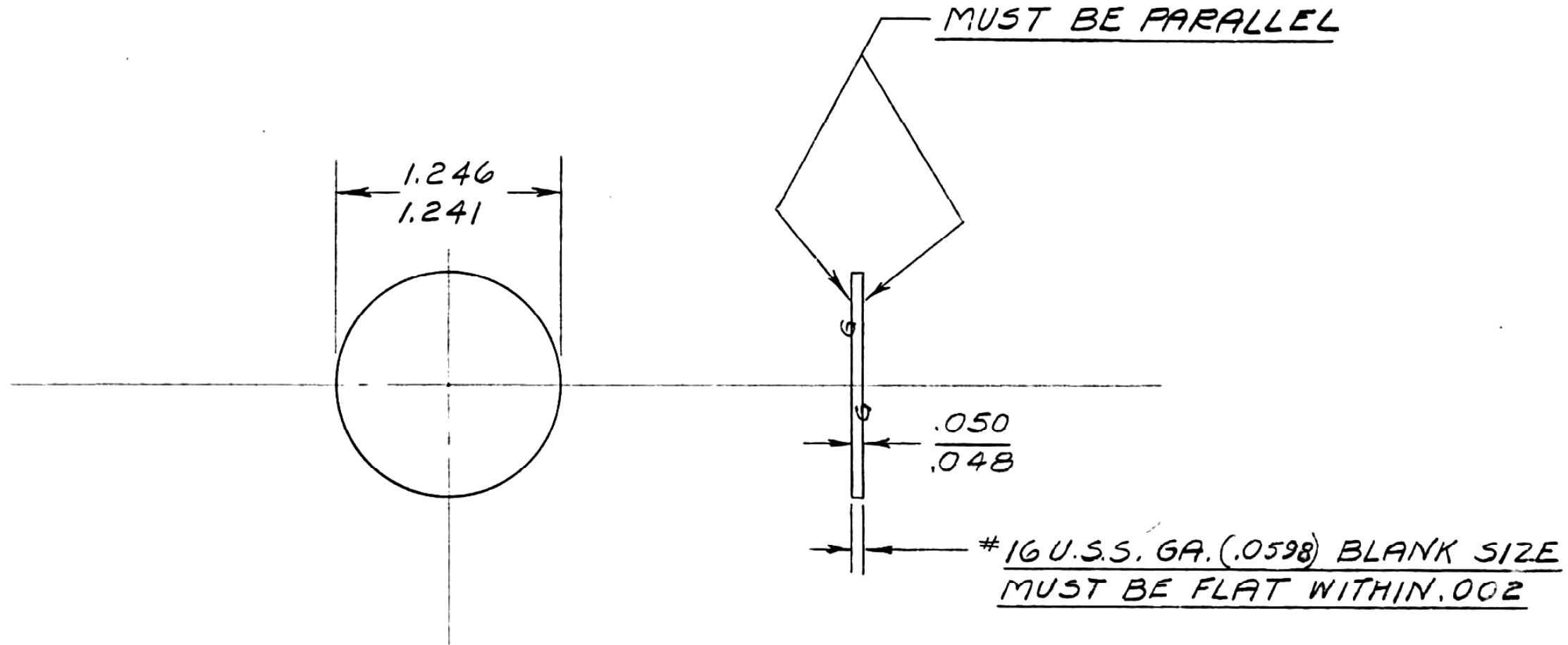


GPW-6673

ALLOWABLE VARIATION ON DIMENSIONS CONTROLLING FINISHED SURFACES IS $\pm .010$ UNLESS OTHERWISE SPECIFIED. ALL DIMENSIONS IN INCHES.

DRWG. STARTED	10-29-41		
DRWG. COMPLETED	10-29-41		
ENG. INF.	SUPP.	REVISED	CK.
L10 #	11	11-8-41	



MFG. DPT.
993
2455
M
B
BD
LIN
DAG
BEL
FRA
GER
HOL
SPN
RUM
ARG
DEN
CORK
MEX
BRA
JAP
AUST
SWED
M.B.

DISC-OIL PUMP ROTOR
C.R. TYPE 'E' OR 1030 STEEL

(W) 636600

DESIGN	SCALE	DRAWN BY	CK.	O.K.	FORD MOTOR CO. DEARBORN, MICH.	GPW-6673
	FULL	F. SCHIFFER	W			

MATERIAL ANT. NAME