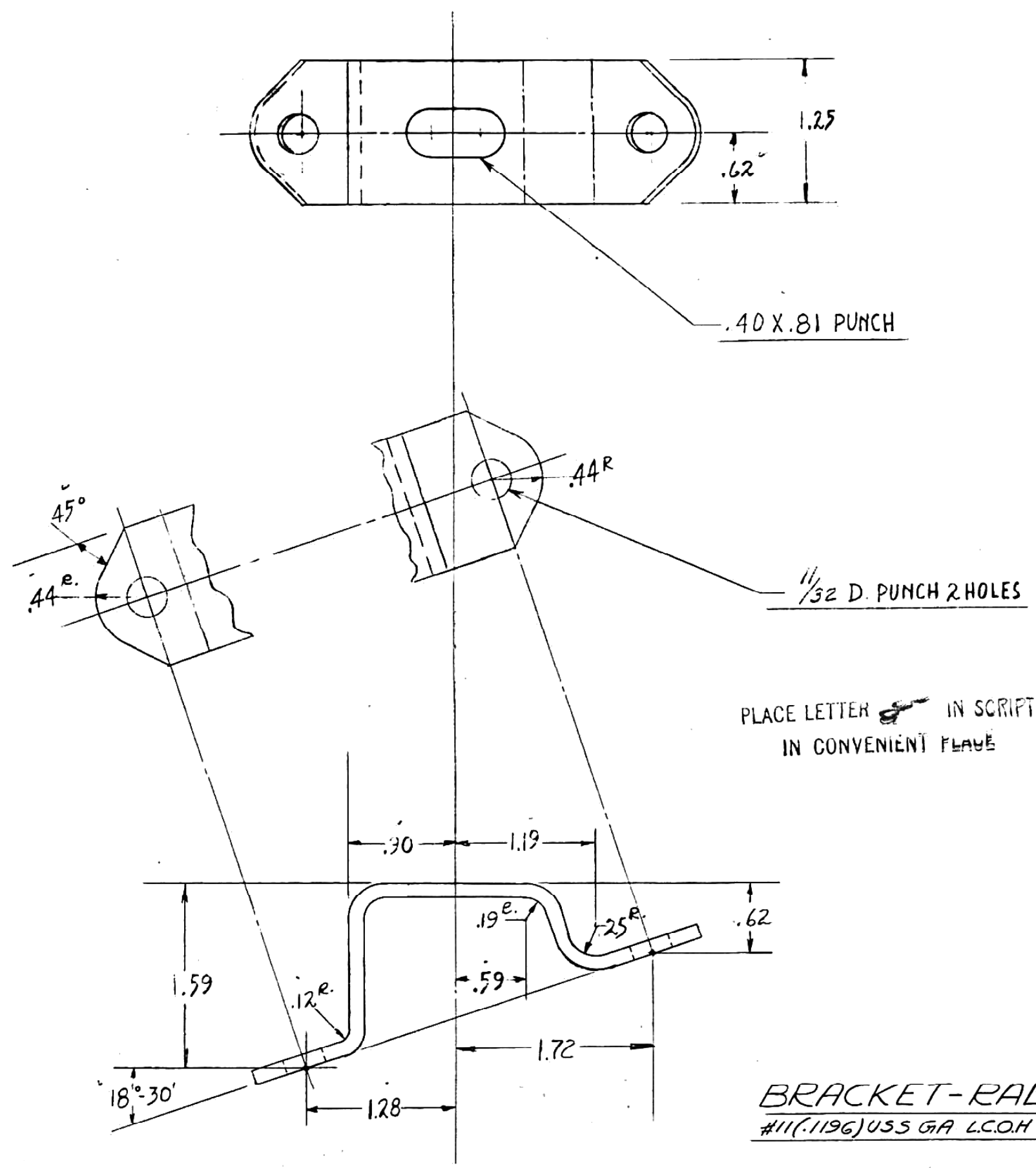


DRWG. STARTED			
DRWG. COMPLETED		12-27-41	
ENG. INF.	SUPP.	REVISED	CK.
L10	77	12-31-41	
L10	360	4-30-42	F.P.



BRACKET-RADIATOR GUARD
 #11(1196)USS GA LCOH HEP&O STEEL

MFG. DPT.	0
M	
B	
BD	
LIN	
DAG	
BEL	
FRA	
GER	
NOL	
SPN	
RUM	
ATG	
DEH	
CORN	
HEX	
DBA	
JAP	
AUST	
SWED	

GPW5057

(W) A-1201

DESIGN	SCALE	DRAWN BY	CK.	O.K.	FORD MOTOR CO. DEARBORN, MICH.	GPW5057
	FULL	HOOVEN				