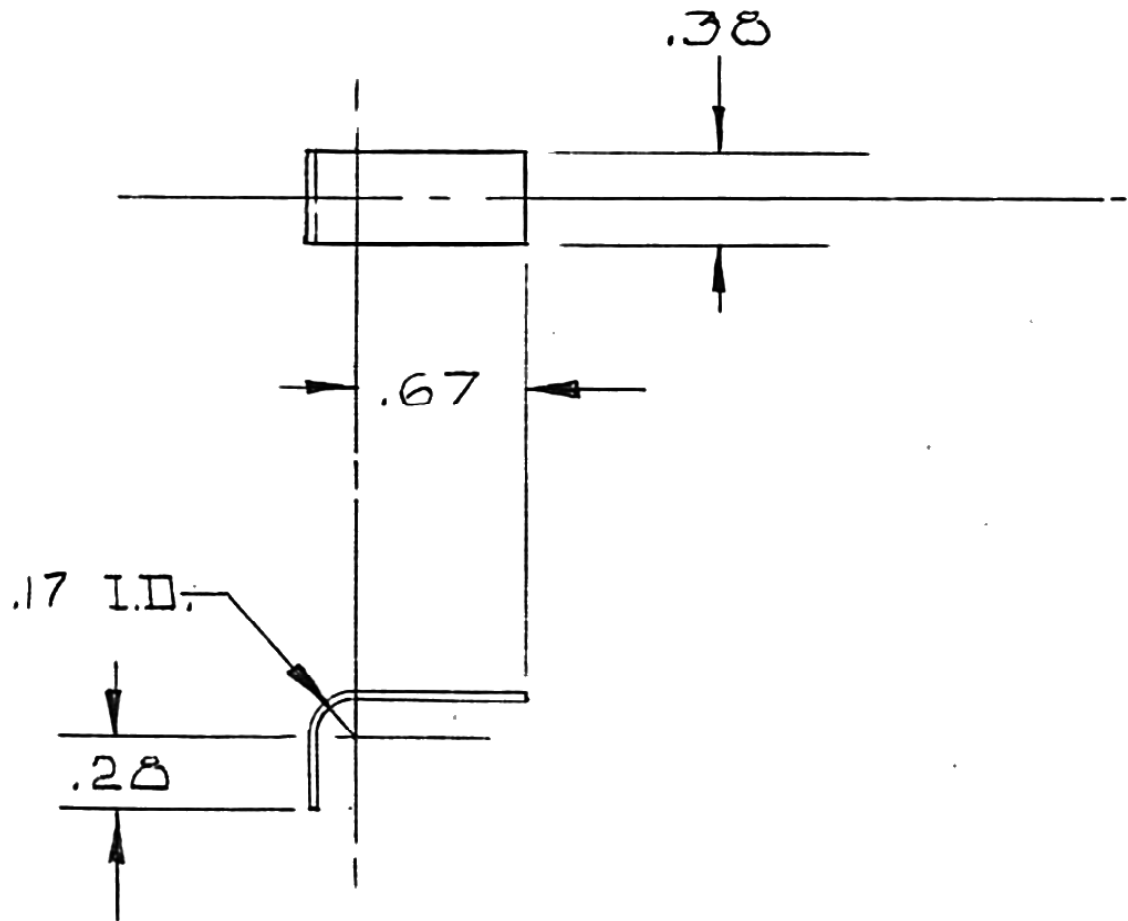


GPW-8078



RELEASED					L10 1654 10-3-44 F.P.		
LOC.	LET.	REVISIONS		ENG. INF.	SUPP.	DATE	CK.
NAME CLIP - RAD. OVERFLOW TUBE							
MATERIAL #20 U.S.S. GA. (.0359) TERNE PLATE							
<i>JG 9-27-44</i>							
ALLOWABLE VARIATION ON DIMENSIONS CONTROLLING FINISHED SURFACES IS +.010 UNLESS OTHERWISE SPECIFIED. ALL DIMENSIONS IN INCHES.							
STARTED	COMPLETED	DRAWN BY	CK.	O.K.	SCALE		
	9-11-44	NORTHROP	J.P.		FULL		
FORD MOTOR COMPANY DEARBORN, MICHIGAN							

REVISIONS
0

GPW-8078

J-311726