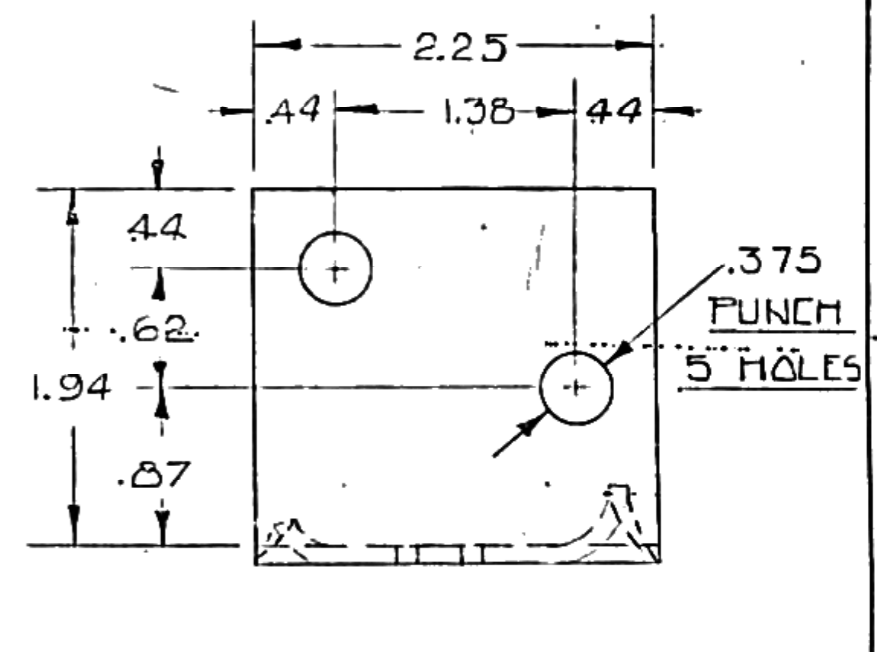
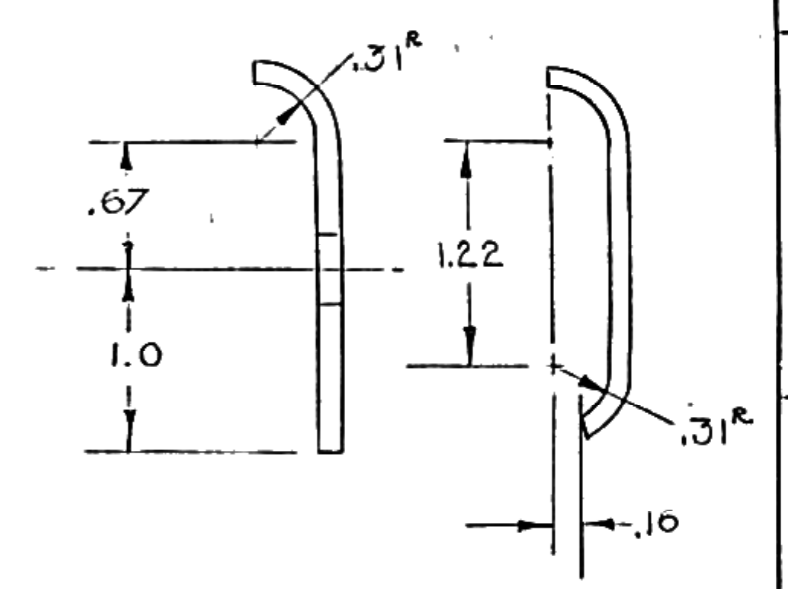


SECTION AA SECTION BB



LOC LET		REVISIONS		ENG	SUPP	DATE	CK
		RELEASED		UO	165410-3-44		
NAME							
SUPPORT - RADIATOR - LOWER							
MATERIAL							
H.E. TYPE "E" OR "EE" STEEL P.F.O. #13 U.S.S.							
G.A. (0897) ROUND EDGE - FLAT - STRAIGHT							
BRINELL HARDNESS - 163 - 196 109-27-44							
ALLOWABLE VARIATION ON DIMENSIONS CONTROLLING FINISHED SURFACES IS +.010 UNLESS OTHERWISE SPECIFIED. ALL DIMENSIONS IN INCHES.							
STARTED	COMPLETED	DRAWN BY	CK	O.K.	SCALE		
	9-12-44	NORTHROP	JP		FULL		
FORD MOTOR COMPANY DEARBORN, MICHIGAN							

GPW-8083-B

GPW-8083-B