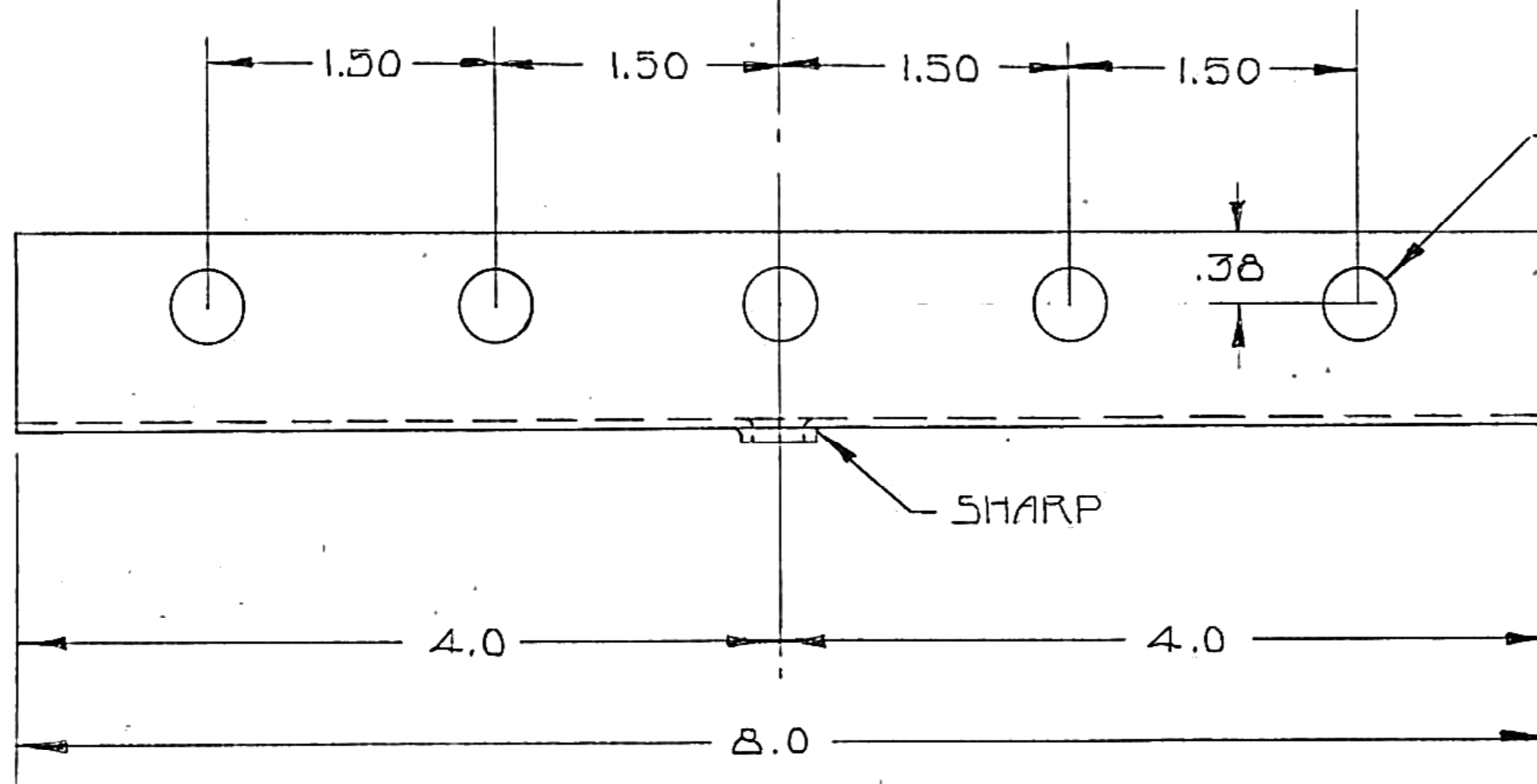
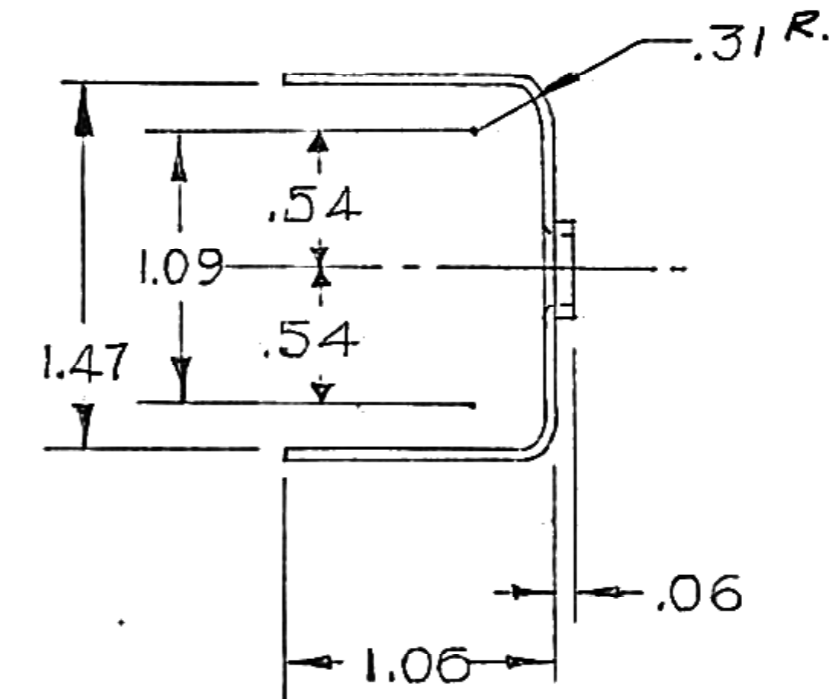
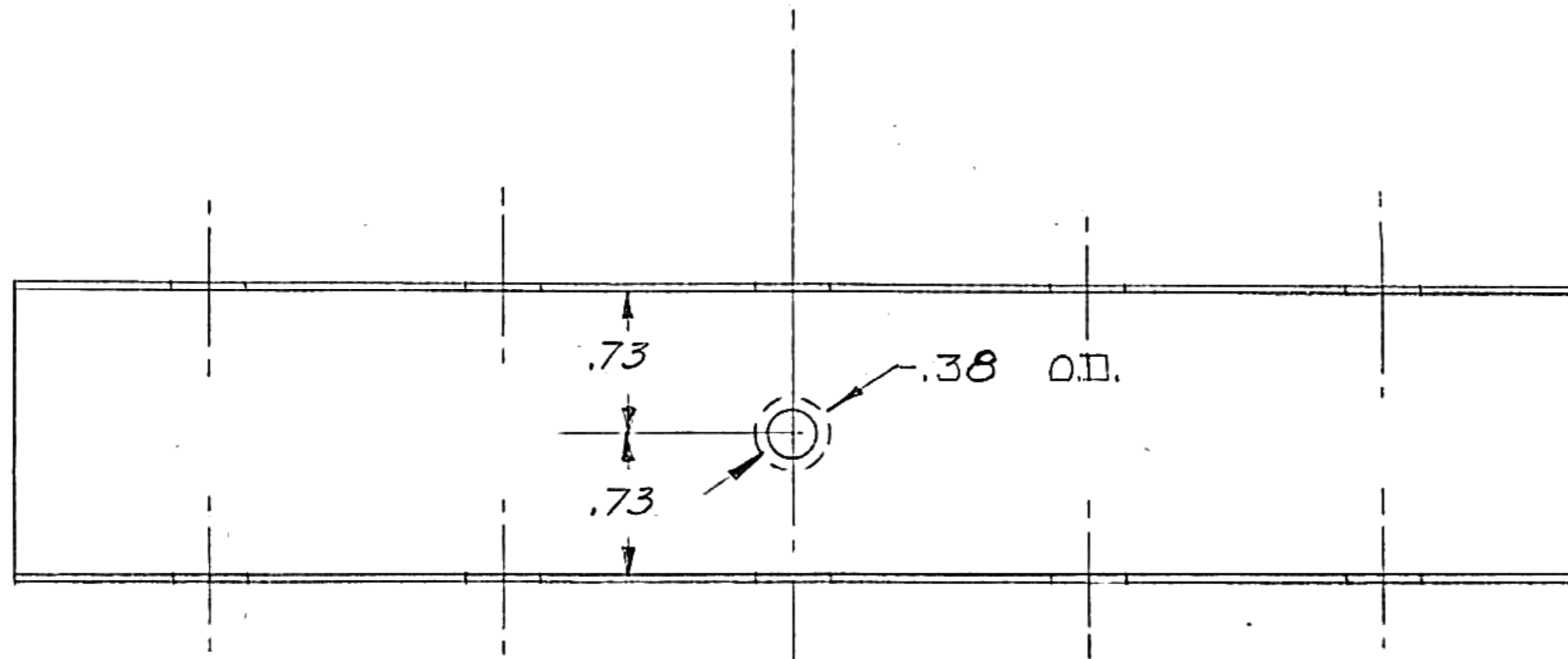


GPW-8092



NOTE-  
 TERNE COATING TO BE NOT LESS THAN 7 LBS. PER 1000 SQ. FT. SURFACE AND CONTAIN NOT LESS THAN 9% TIN.

LOC.	LET.	REVISIONS	ENG. INF.	SUPP.	DATE	CR.
					110 165410-3-44	
NAME REINFORCEMENT - RADIATOR LOWER TANK						
MATERIAL #18 U.S.S. GA. (.0478) TERNE PLATE						
ALLOWABLE VARIATION ON DIMENSIONS CONTROLLING FINISHED SURFACES IS $\pm .010$ UNLESS OTHERWISE SPECIFIED. ALL DIMENSIONS IN INCHES.						
STARTED	COMPLETED	DRAWN BY	CK.	O.K.	SCALE	
	9-7-44	NORTHROP			FULL	
FORD MOTOR COMPANY DEARBORN, MICHIGAN						

J-410732

GPW-8092