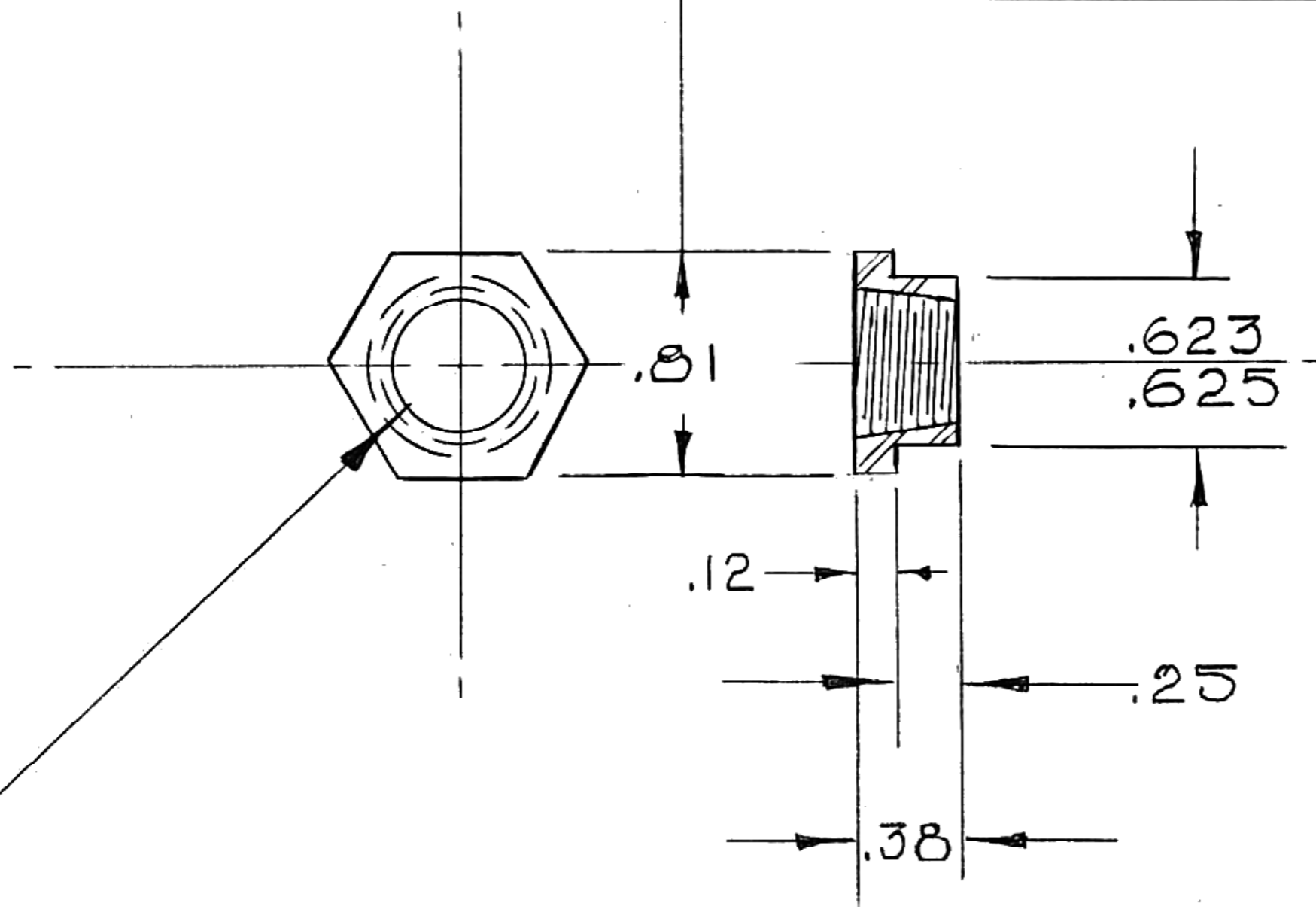


GPW-8120

HEX. BAR STOCK



$\frac{1}{4}$  AMER. NATL. ST'D. PIPE TAP  
 IMPORTANT - MUST FIT ST'D.  
 GAUGE TO  $\pm \frac{1}{2}$  THREAD

NOTE: MUST BE CLEAN - FREE  
OF OIL & CHIPS

LOC.	LET.	REVISIONS	ENG. INF.	SUPP.	DATE	CK.
		RELEASED			L10*165410-3-44	
NAME						
BOSS - RADIATOR DRAIN COCK.						
MATERIAL						
TYPE "W" BRASS						
ALLOWABLE VARIATION ON DIMENSIONS CONTROLLING FINISHED SURFACES IS $\pm .010$ UNLESS OTHERWISE SPECIFIED. ALL DIMENSIONS IN INCHES.						
STARTED	COMPLETED	DRAWN BY	CK.	O.K.	SCALE	
	9-15-44	NORTHROP	mm		FULL	

MFG. DPT.
0

9-27-44

J-311503

GPW-8120

FORD MOTOR COMPANY  
 DEARBORN, MICHIGAN