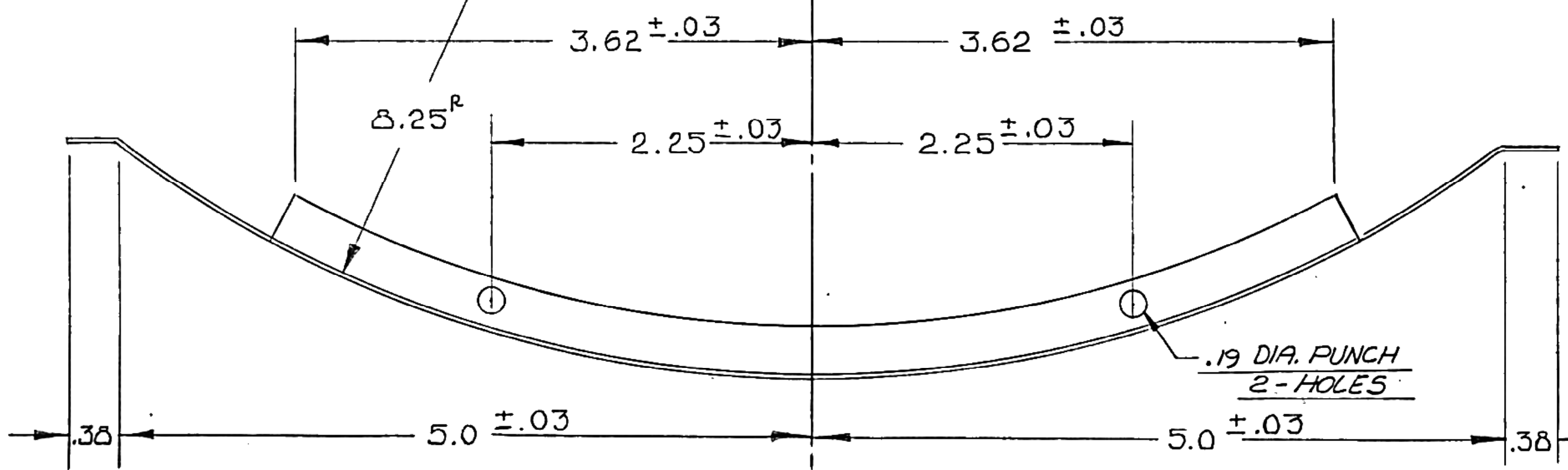
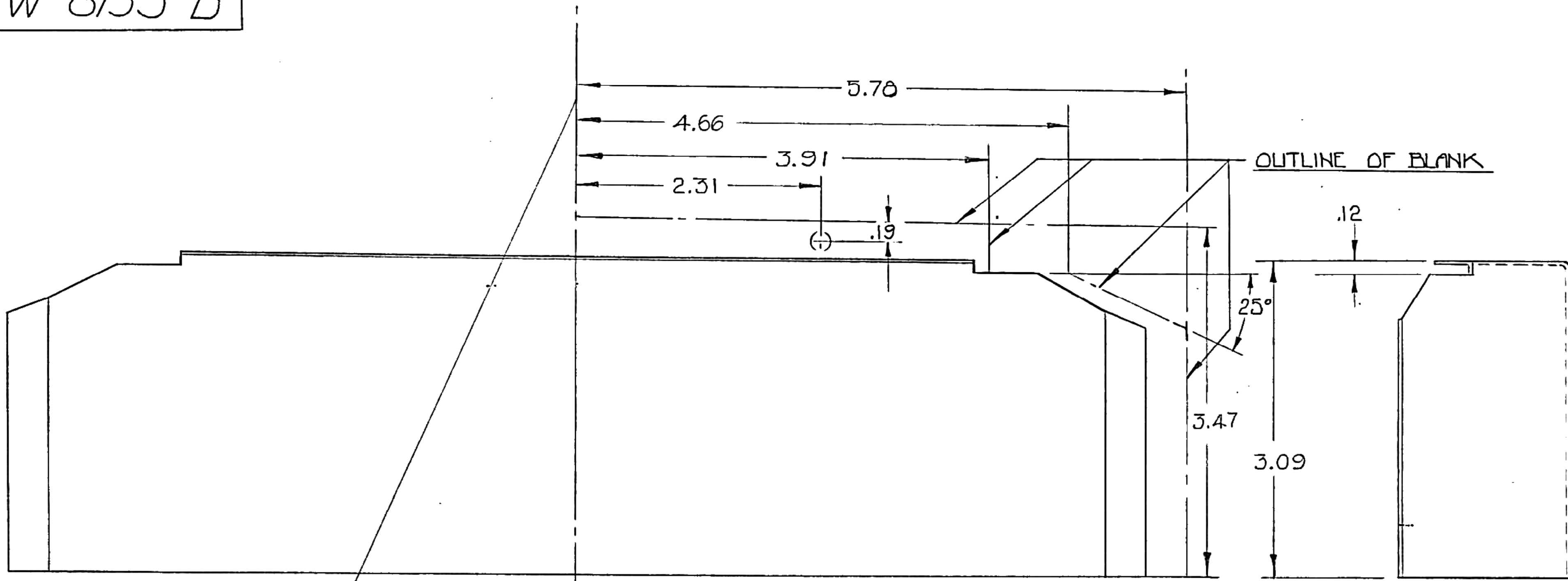


GPW-8153-B



NOTE:
TERNE COATING TO BE NOT LESS THAN 7LBS. PER 1000 SQ. FT. SURFACE AND CONTAIN NOT LESS THAN 9% TIN.

LOC.	LET.	REVISIONS	ENG. INF.	SUPP.	DATE	CK.
NAME		SHROUD - FAN - LOWER				
MATERIAL		#24 U.S.S. GA. (.0239) TERNE PLATE				
ALLOWABLE VARIATION ON DIMENSIONS CONTROLLING FINISHED SURFACES IS +.010 UNLESS OTHERWISE SPECIFIED. ALL DIMENSIONS IN INCHES.						
STARTED	COMPLETED	DRAWN BY	CK.	O.K.	SCALE	
	9-14-44	NORTHROP	J.P.		FULL	
FORD MOTOR COMPANY DEARBORN, MICHIGAN						

J-435112

GPW-8153-B