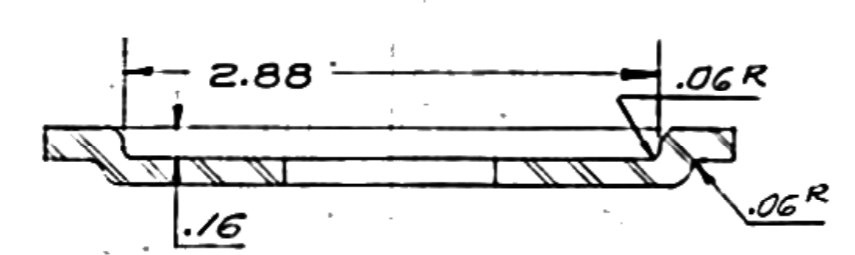
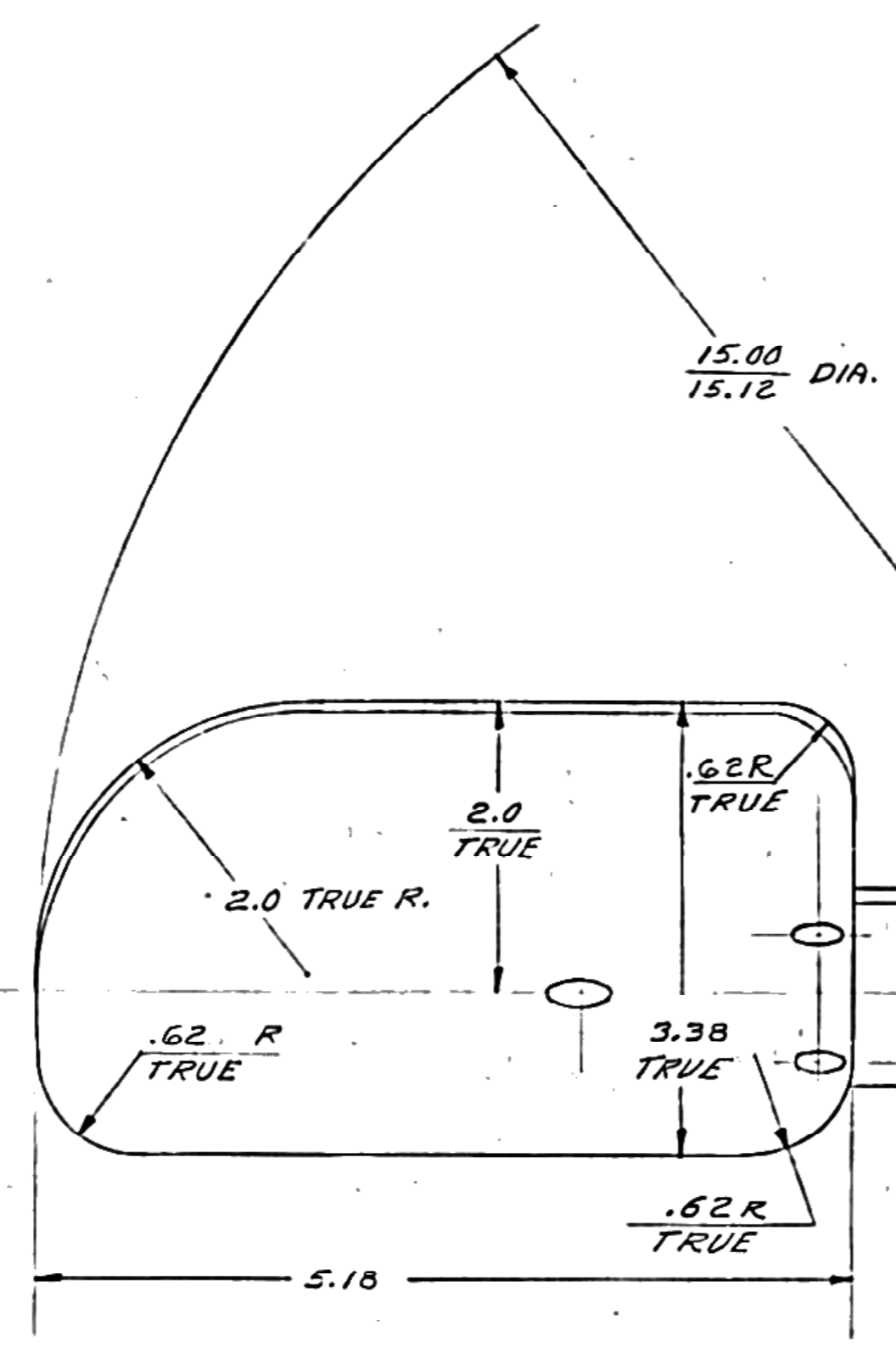
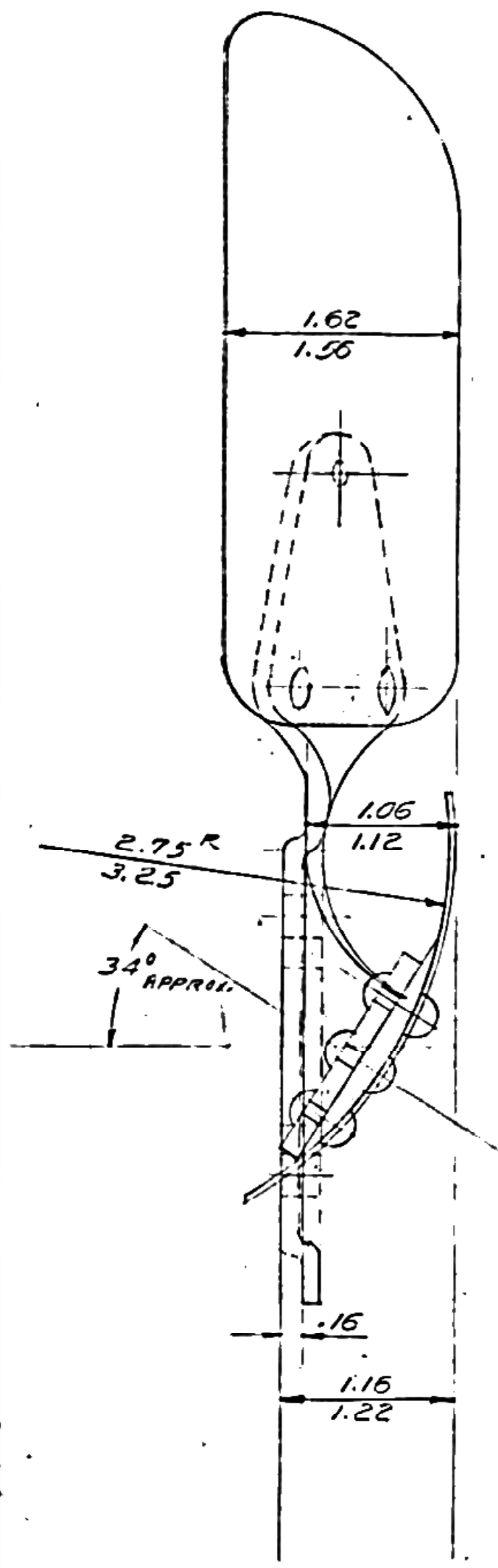
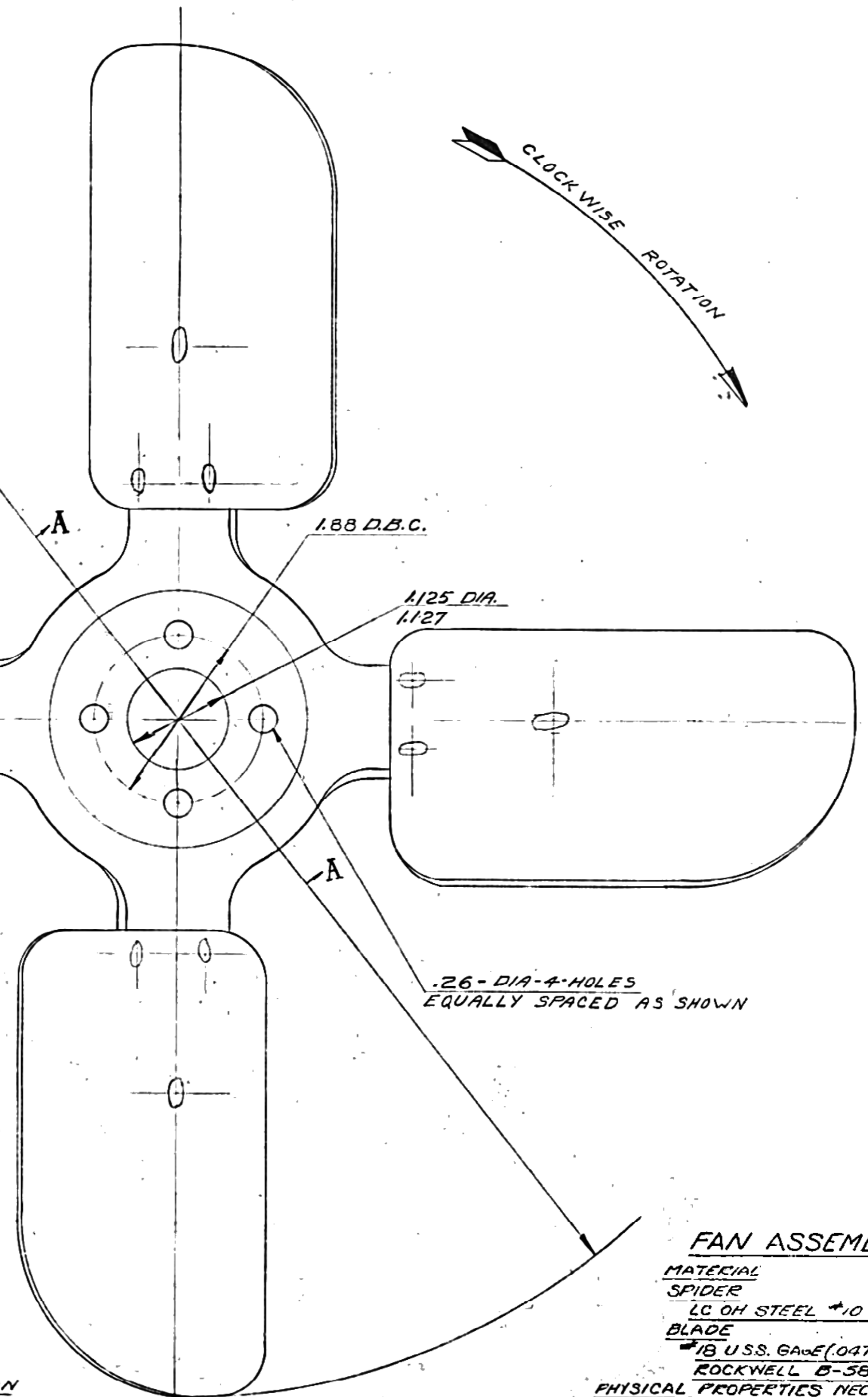


DRWG. STARTED	10-27-41		
DRWG. COMPLETED	10-28-41		
ENG. INF.	SUPP.	REVISED	CK.
L10#	40	12-10-41	
L10	1208	5-5-43	F.P.
L10	1638	3-23-44	F.P.



SECTION A A



GRAIN OF METAL TO RUN LENGTHWISE OF BLADE
 STATIC BALANCE WITHIN .50 INCH OUNCE

FAINT-SEE FAINT SPECIFICATION

FAN ASSEMBLY
 MATERIAL
 SPIDER
 LC OH STEEL #10 USS GAGE (1315)
 BLADE
 #18 USS. GAGE (0478) HR SAE #1020 STEEL
 ROCKWELL B-58-70
 PHYSICAL PROPERTIES NECESSARY TO FORM PART

GPW-8600

ALLOWABLE VARIATION ON DIMENSIONS CONTROLLING FINISHED SURFACES
 IS .010 UNLESS OTHERWISE SPECIFIED. ALL DIMENSIONS IN INCHES.

(W) A-777

DESIGN	SCALE	DRAWN BY	CHK. O.K.	FOR MOTION CO.	GPW-8600
	FULL	R. FISCHER		DRAWING W/OL	

MPG. DPT.	
DR	
EN	
ED	
EM	
ENG	
REL	
FRA	
GEN	
HOL	
SPM	
SYM	
TRG	
GEN	
CONR	
GEN	
SAF	
JAP	
ALBY	
SWED	
532	