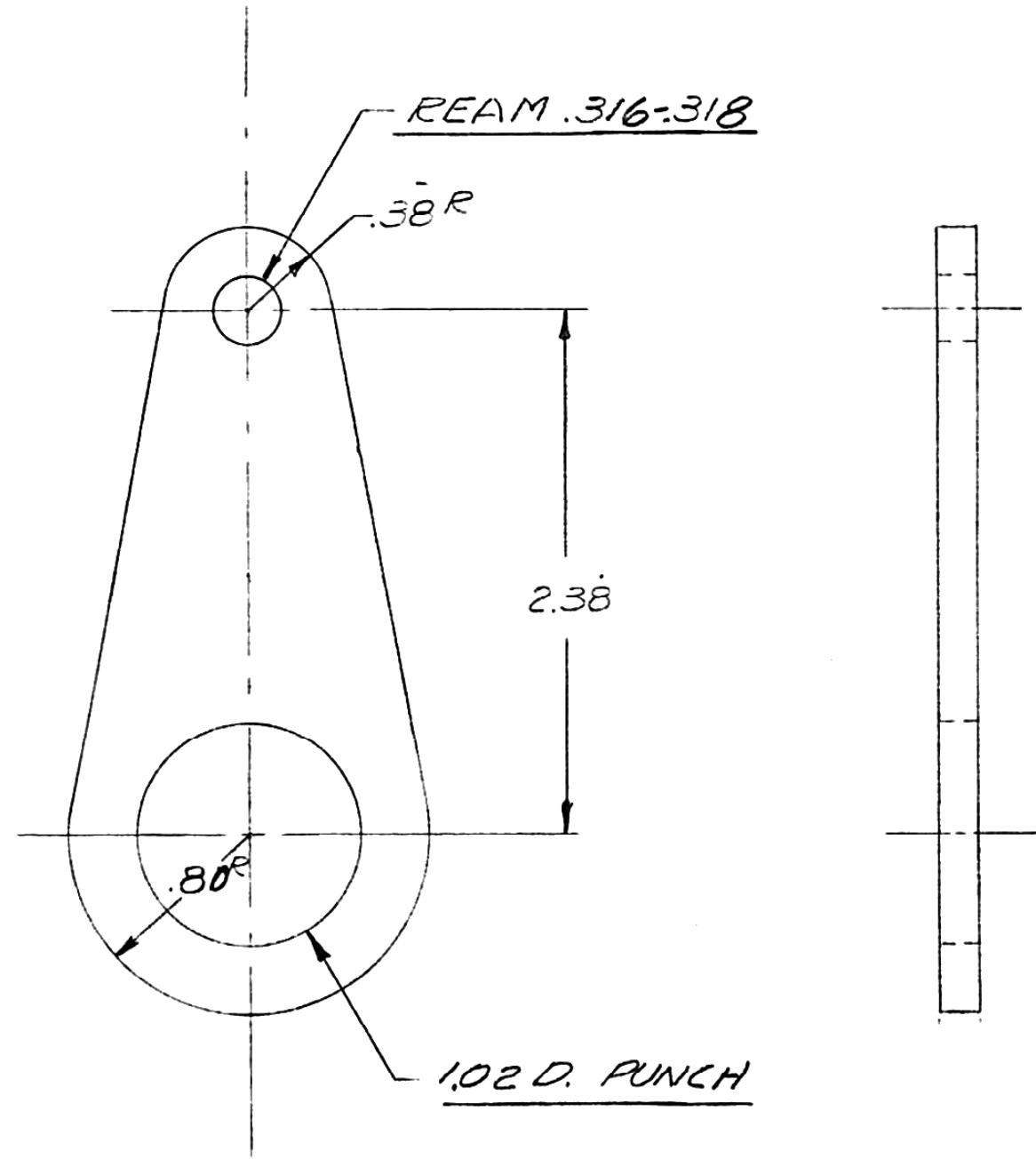


GPW-7465

ALLOWABLE VARIATION ON DIMENSIONS CONTROLLING FINISHED SURFACES IS  $\pm .010$  UNLESS OTHERWISE SPECIFIED. ALL DIMENSIONS IN INCHES.

DRWG. STARTED		11-17-41	
DRWG. COMPLETED		11-17-41	
ENG. INF	SUPP.	REVISED	CK.
L10#	24	12-1-41	PM



MFG. DPT.	0
M	
B	
BD	
LIN	
DAG	
BEL	
FRA	
GER	
HOL	
SPN	
RUM	
ARG	
DEN	
CORK	
MEX	
BRA	
JAP	
AUST	
SWED	

PLACE LETTER  IN SCRIPT IN CONVENIENT PLACE

CLUTCH PEDAL SHAFT LEVER

TYPE "L" STEEL OR S.A.E. 1020 HR. P.#0 STEEL  
#7 U.S.S. GAGE (.1793)

(W) A-497

DESIGN	SCALE	DRAWN BY	CK.	O.K.	FORD MOTOR CO. DEARBORN, MICH.
	FULL	PATTERSON			

GPW-7465

MATERIAL AND NAME