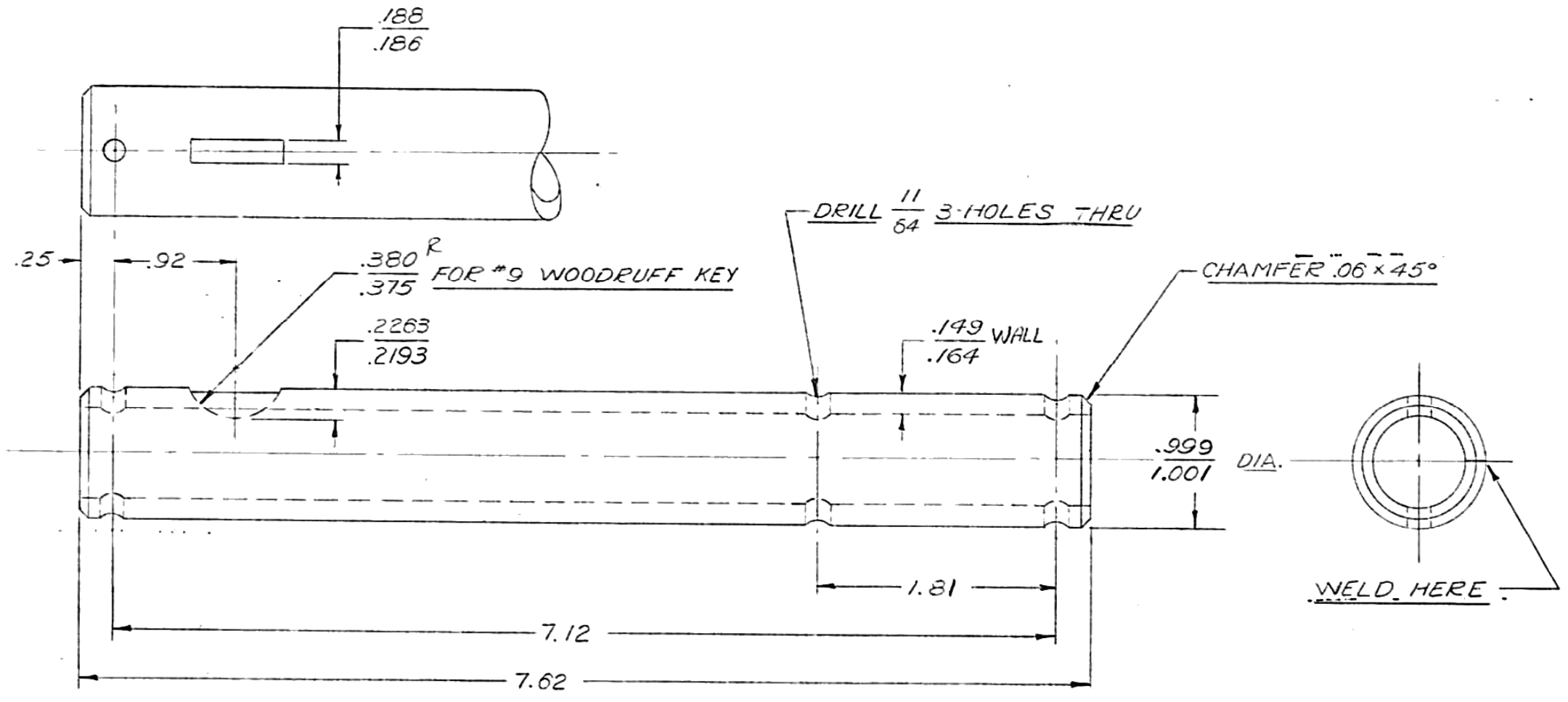


DRWG. STARTED	11-15-41		
DRWG. COMPLETED	11-15-41		
ENG. INF.	SUPP.	REVISED	CK.
L10#	24	12-1-41	R
L10	306	4-10-42	R
L10	1037	9-24-42	F.P.
L10	1069	10-28-42	F.P.
L10	1127	1-28-43	F.P.



PHYSICAL PROPERTIES OF SHAFT  
ELASTIC-LIMIT 50,000 LBS. PER. SQ. IN.  
TENSILE-STRENGTH-58,000 LBS. PER. SQ. IN.  
ELONGATION-20% IN 2".  
TORSION-10° BETWEEN JAWS,  
ELASTIC-MEASURED IN INCHES  
ELASTIC-3800 IN. LBS. MIN.  
ULTIMATE-4,600 IN. LBS. MIN.  
ANGLE AT ELASTIC 3° WITHOUT  
FAILURE.

PEDAL SHAFT  
L.C. O.H. STEEL  
SEAMLESS OR WELDED STEEL TUBING

PLACE LETTER *S* IN SCRIPT  
 IN CONVENIENT PLACE

ALLOWABLE VARIATION ON DIMENSIONS CONTROLLING FINISHED SURFACES  
 IS ±.010 UNLESS OTHERWISE SPECIFIED. ALL DIMENSIONS IN INCHES. (W) A-496

DESIGN	SCALE	DRAWN BY	CK.	O.K.	FORD MOTOR CO. DEARBORN, MICH.	GPW-7506
	FULL	PATTERSON				

GPW-7506